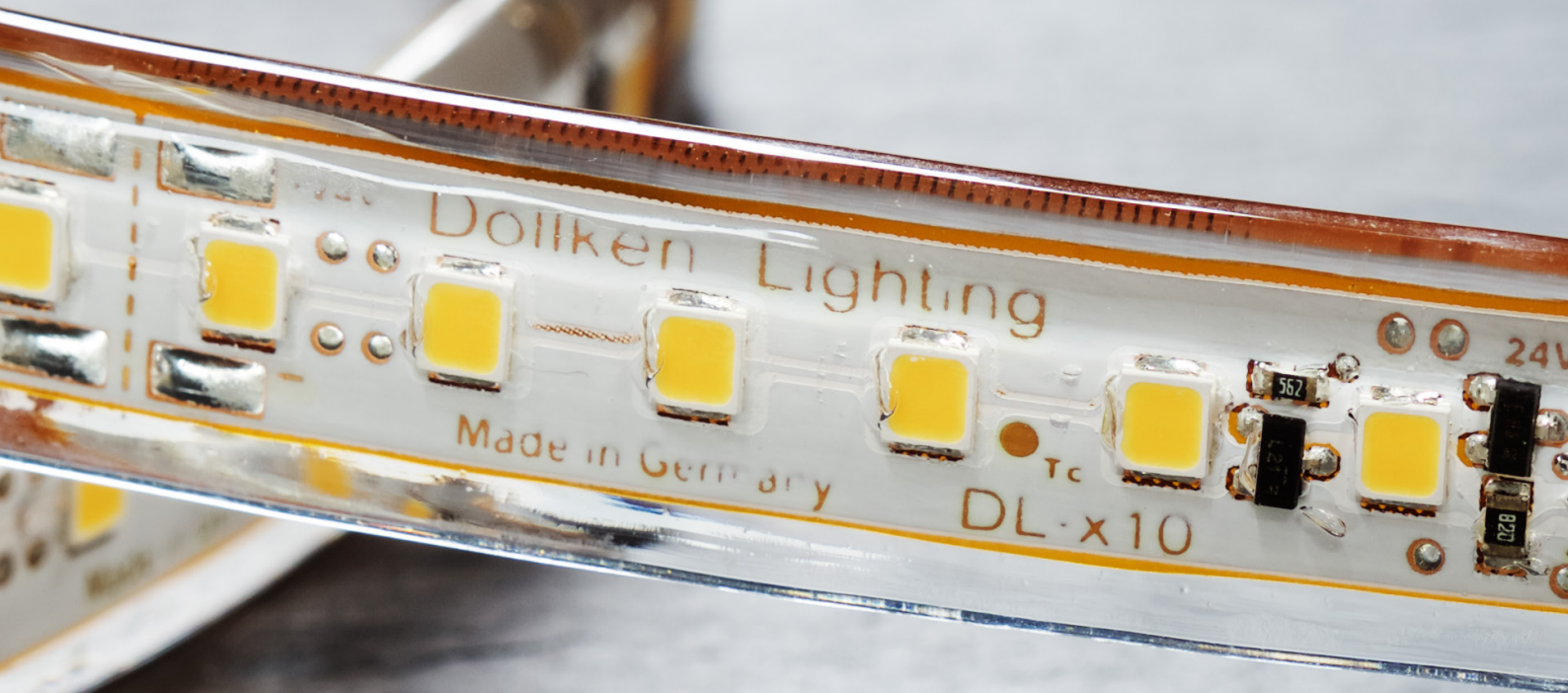


CoreFlex 14/1023



# Product specification sheet

Completely encased in transparent plastic, our CoreFlex provides accents, particularly in indirect applications. IP68 and IK06 protection ensures that it withstands even the most adverse environmental conditions and external influences.

Let's design our future.

**Döllken**  
Lighting

.....  
we create.  
we innovate.

SURTECO GROUP

## dimensions

measures	14,2 x 4,5 mm
step length	50 mm
pitch	7,14 mm
max. connection length*	6,0 m

## light

CCT of PCB**	2.7/4/5.700 K
luminous flux***	738 lm/m
binning	MacAdam Step 3
CRI of PCB [Ra]	> 90
expected life time	50.000 h, LM70

## electrical

voltage	24 V
power	11 W/m
LEDs per step	7
current per step	10 mA
constant current driver each step	yes
ESD protection	no
inverse polarity connection	yes
Tc°	35°C
dimmable	yes, only PWM
needed driver must comply	24 V DC SELV

## mechanical

dimensions of smallest operating unit	50 x 14,2 x 4,5 mm
suitable mounting method****	aluminum mounting profile, glue
degree of protection (strip)	IP68, 10 m
degree of protection (connection)	IP68, 10 m
mechanical impact protection	IK06
bending radius vertical	50 mm
bending radius horizontal	200 mm
aluminium profil dimensions	2.500 x 17 x 6,7 mm
aluminium profil colour	aluminium

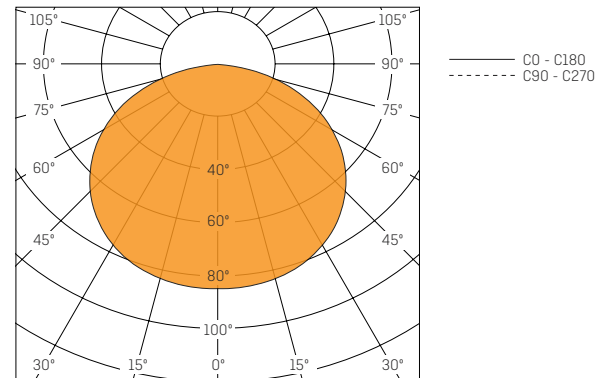
## encapsulation

combustibility class	UL-94-HB
dielectric strength	18 kV/mm
halogen free	yes
chlorine free	yes

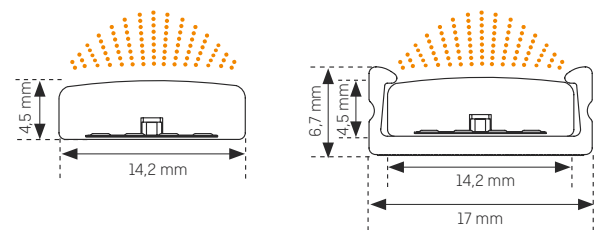
## environmental /compliances

ambient temperature	-20 °C to +60 °C
WEEE-Reg. No.	41380720, Döllken Lighting Flex Line
compliances	CE, RoHS, DIN EN 62031:2008, DIN EN 62717
warranty	5 years (conditions apply)
energy efficiency class	A - A++

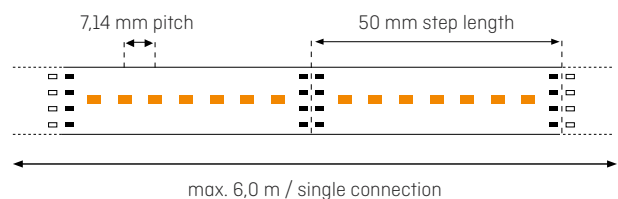
## light intensity distribution



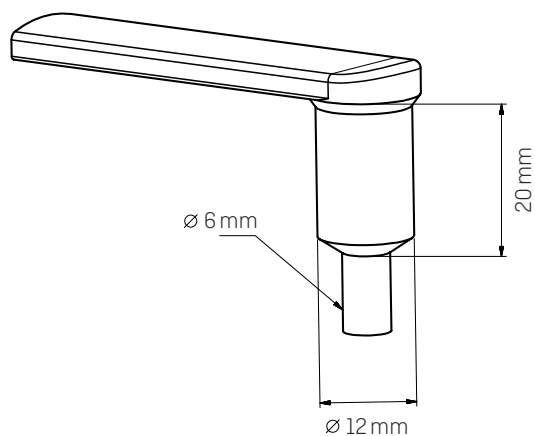
## technical drawings



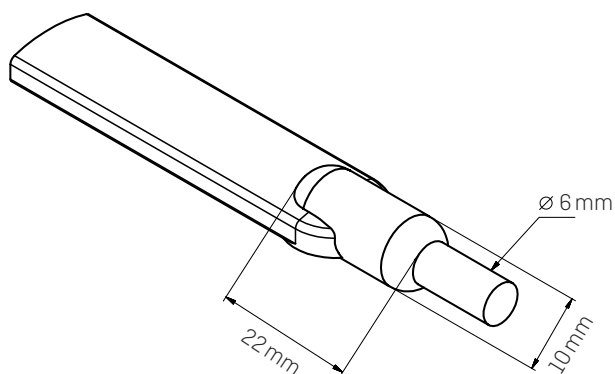
## step schematic



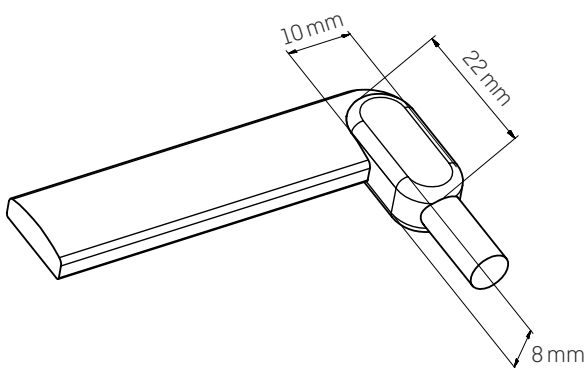
\* maximum connection length with constant light output depends on cable length  
 \*\* correlated colour temperature of PCB, encapsulation will affect the colour temperature  
 \*\*\* luminous flux is related to 2.700 K  
 \*\*\*\* the LED modules are being delivered without any adhesive tape or glue, aluminum profiles have to be ordered separately, recommendations regarding suitable glue/tapes are being given for individual projects



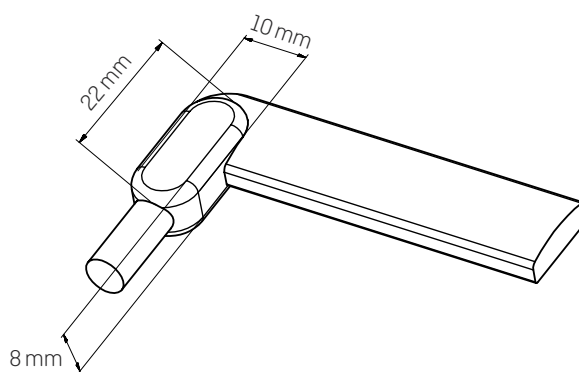
VERTICAL CONNECTION



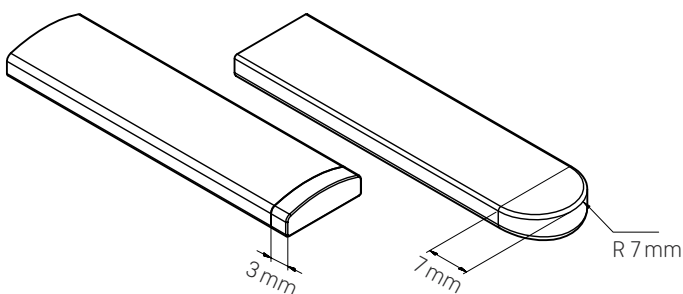
HORIZONTAL CONNECTION



SQUARE CONNECTION LEFT



SQUARE CONNECTION RIGHT



SQUARE/ROUND ENDCAPS

Product	short form	CCT	article number
CoreFlex 14/1023/2K7	CF14/1023/2K7	2.700 K	5123531
CoreFlex 14/1023/4K0	CF14/1023/4K0	4.000 K	5123532
CoreFlex 14/1023/5K7	CF14/1023/5K7	5.700 K	5123533
Aluminum Profile MCF14	-	-	5118256

**Döllken Profiles GmbH**

**Döllken Lighting**

Industriestraße 1

59199 Bönen | Germany

Tel.: +49 (0) 36 43 / 41 70-540

E-Mail: [info@doellken-lighting.com](mailto:info@doellken-lighting.com)

[www.doellken-lighting.com](http://www.doellken-lighting.com)