

CoreFlex 14/15

Product specification sheet

Completely encased in transparent plastic, our CoreFlex provides accents, particularly in indirect applications. IP68 and IK08 protection ensures that it withstands even the most adverse environmental conditions and external influences.

Let's design our future.

Döllken
Lighting

.....
we create.
we innovate.

SURTECO GROUP

dimensions

measures	14,2 x 4,5 mm
step length	150 mm
pitch	37,5 mm
max. connection length	20,1 m

light

CCT of PCB*	3/4/5.000 K
luminous flux**	90 lm/m
binning	ANSI C78.377 Chromaticity Range
CRI of PCB [Ra]	> 80
expected life time	50.000 h, LM70

electrical

voltage	24 V
power	3,2 W/m
LEDs per step	4
current per step	20 mA
constant current driver	yes
each step	
ESD protection	yes
inverse polarity connection	yes
Tc°	32°C
dimmable	yes, only PWM
needed driver must comply	24 V DC SELV

mechanical

dimensions of smallest operating unit	150 x 14,2 x 4,5 mm
suitable mounting method***	aluminum mounting profile, glue
degree of protection (strip)	IP68, 10 m
degree of protection (connection)	IP68, 10 m
mechanical impact protection	IK08
bending radius vertical	20 mm
bending radius horizontal	200 mm
aluminium profil dimensions	2.500 x 17 x 6,7 mm
aluminium profil colour	aluminium

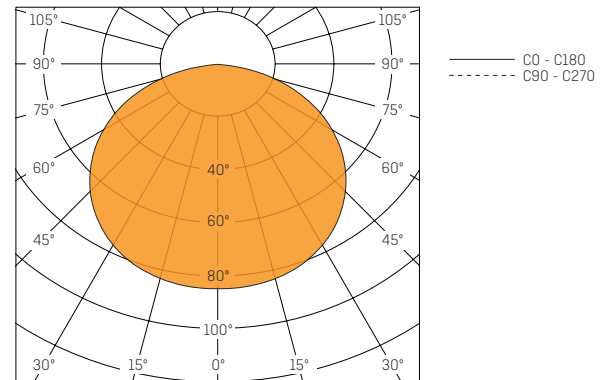
encapsulation

combustibility class	UL-94-HB
dielectric strength	18 kV/mm
halogen free	yes
chlorine free	yes

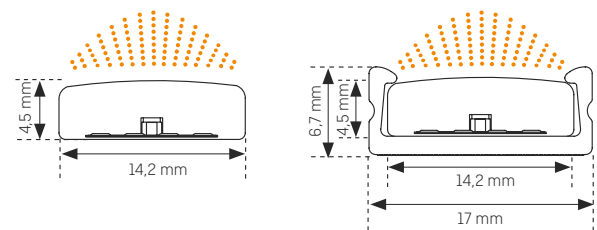
environmental /compliances

ambient temperature	-20 °C to +60 °C
WEEE-Reg. No.	41380720, Döllken Lighting Flex Line
compliances	CE, RoHS, DIN EN 62031:2008, DIN EN 62717
warranty	5 years (conditions apply)
energy efficiency class	A - A++

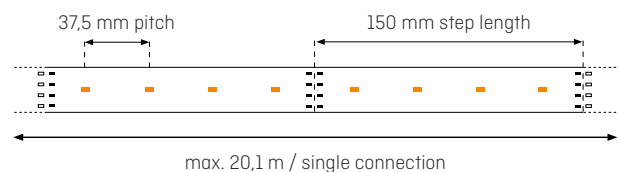
light intensity distribution



technical drawings

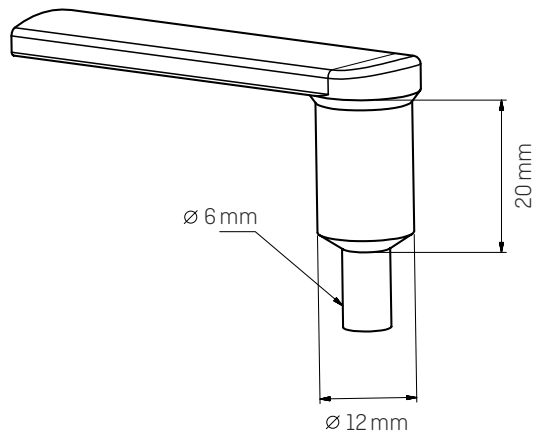


step schematic

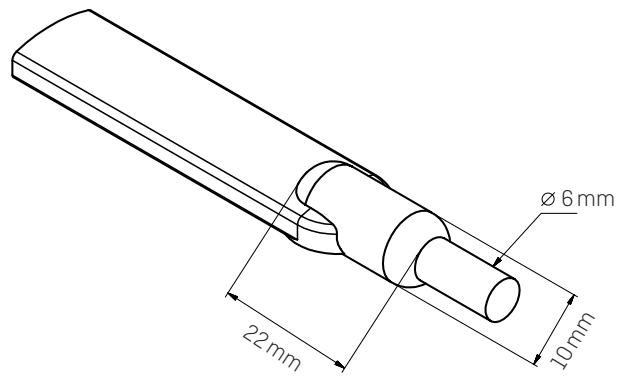


* correlated colour temperature of PCB, encapsulation will affect the colour temperature
 ** luminous flux is related to 5.000 K, warmer colour temperatures will reduce the luminous flux, all data are showing typical values,
 *** the LED modules are being delivered without any adhesive tape or glue, aluminum profiles have to be ordered separately, recommendations regarding suitable glue/tapes are being given for individual projects

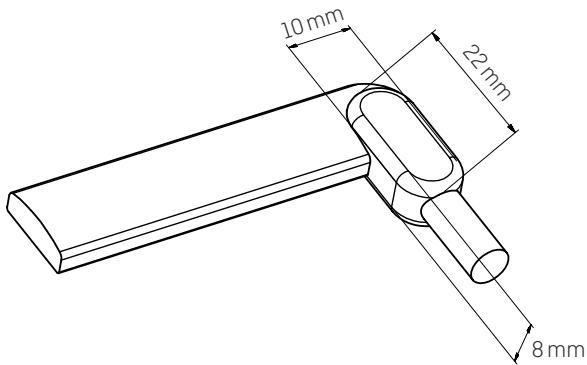
connection types



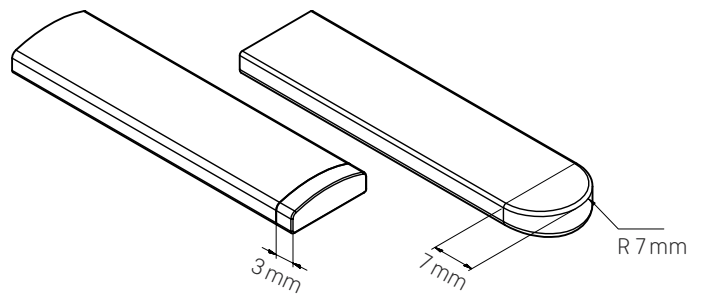
VERTICAL CONNECTION



HORIZONTAL CONNECTION



SQUARE CONNECTION



SQUARE/ROUND ENDCAPS

Product	short form	CCT	article number
CoreFlex 14/15/3K	CF14/15/3K	3.000 K	5111384
CoreFlex 14/15/4K	CF14/15/4K	4.000 K	5111385
CoreFlex 14/15/5K	CF14/15/5K	5.000 K	5111386
Aluminum Profile MCF14	-	-	5901763

Döllken Profiles GmbH

Döllken Lighting

Gewerbepark U.N.O. | Stangenallee 3

99428 Nohra | Germany

Tel.: +49 (0) 36 43 / 41 70-540

E-Mail: info@doellken-lighting.com

www.doellken-lighting.com