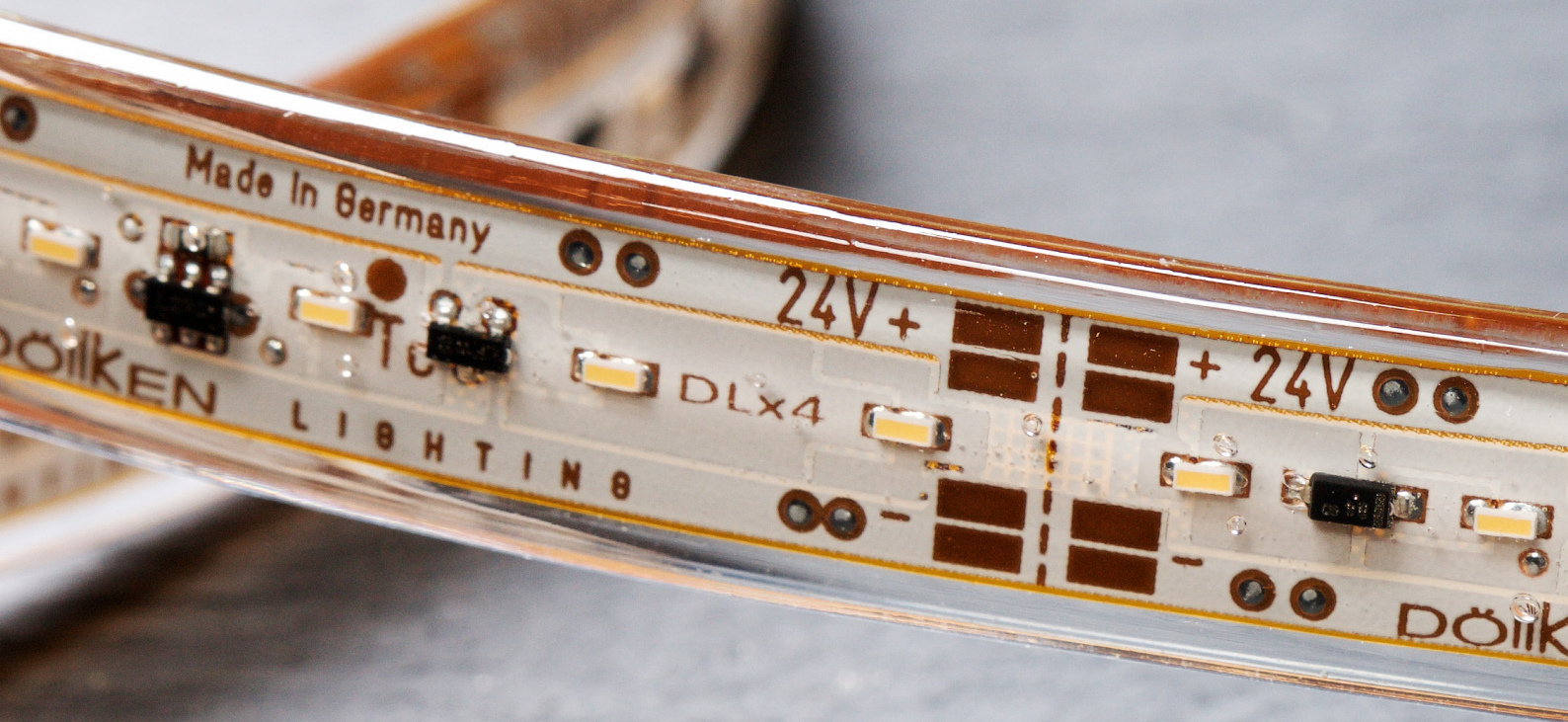


CoreFlex 14/800



Product specification sheet

Completely encased in transparent plastic, our CoreFlex provides accents, particularly in indirect applications. IP68 and IK08 protection ensures that it withstands even the most adverse environmental conditions and external influences.

Let's design our future.

Döllken
Lighting

we create.
we innovate.

SURTECO GROUP

dimensions

measures	14,2 x 4,5 mm
step length	50 mm
pitch	10 mm
max. connection length	10 m

light

CCT of PCB*	2.7/3/4/5.000 K
luminous flux**	810 lm/m
binning	MacAdam Step 4
CRI of PCB [Ra]	> 90 (5.000 K > 80)
expected life time	50.000 h, LM70

electrical

voltage	24 V
power	19,2 W/m
LEDs per step	5
current per step	40 mA
constant current driver	yes
each step	
ESD protection	yes
inverse polarity connection	yes
Tc°	55°C
dimmable	yes, only PWM
needed driver must comply	24 V DC SELV

mechanical

dimensions of smallest operating unit	50 x 14,2 x 4,5 mm
suitable mounting method***	aluminum mounting profile, glue
degree of protection (strip)	IP68, 10 m
degree of protection (connection)	IP68, 10 m
mechanical impact protection	IK08
bending radius vertical	50 mm
bending radius horizontal	200 mm
aluminium profil dimensions	2.000 x 17 x 6,7 mm
aluminium profil colour	aluminium

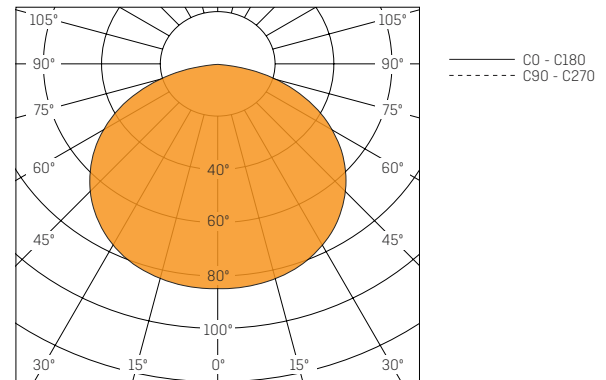
encapsulation

combustibility class	UL-94-HB
dielectric strength	18 kV/mm
halogen free	yes
chlorine free	yes

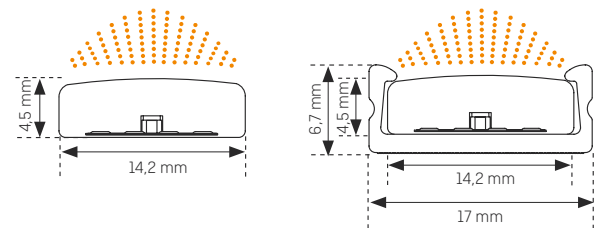
environmental /compliances

ambient temperature	-20 °C to +60 °C
WEEE-Reg. No.	41380720, Döllken Lighting Flex Line
compliances	CE, RoHS, DIN EN 62031:2008, DIN EN 62717
warranty	5 years (conditions apply)
energy efficiency class	A - A++

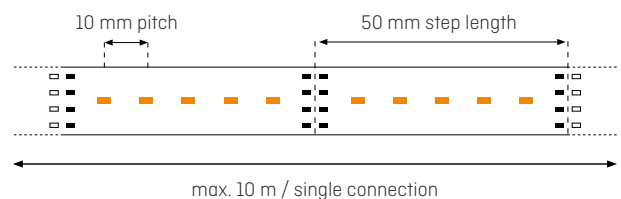
light intensity distribution



technical drawings



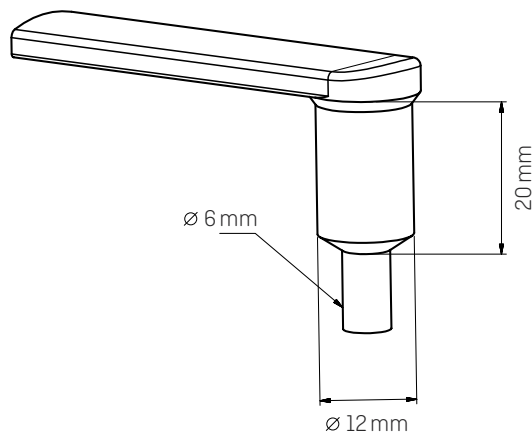
step schematic



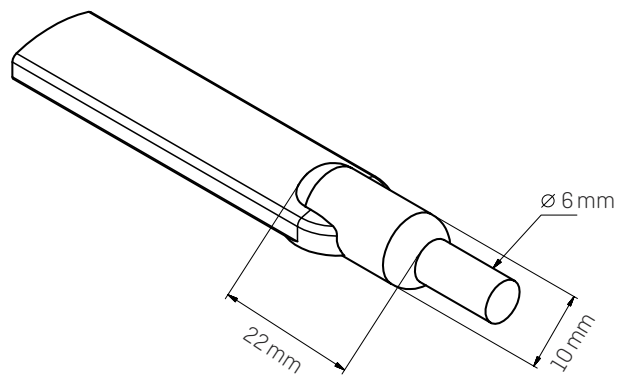
* correlated colour temperature of PCB, encapsulation will affect the colour temperature

** luminous flux is related to 5.000 K, warmer colour temperatures will reduce the luminous flux, all data are showing typical values, actual lumen output can be less and depends also on surface colour

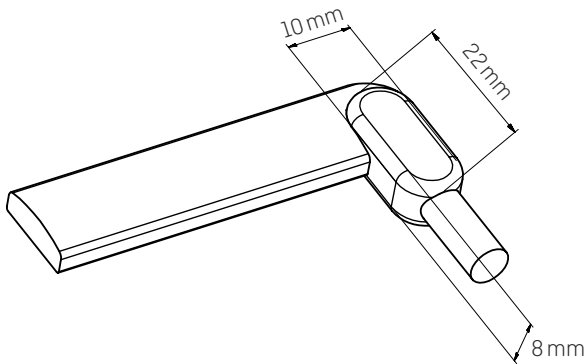
*** the LED modules are being delivered without any adhesive tape or glue, aluminum profiles have to be ordered separately, recommendations regarding suitable glue/tapes are being given for individual projects



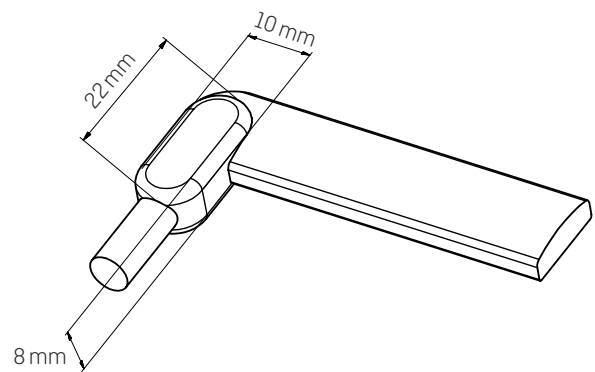
VERTICAL CONNECTION



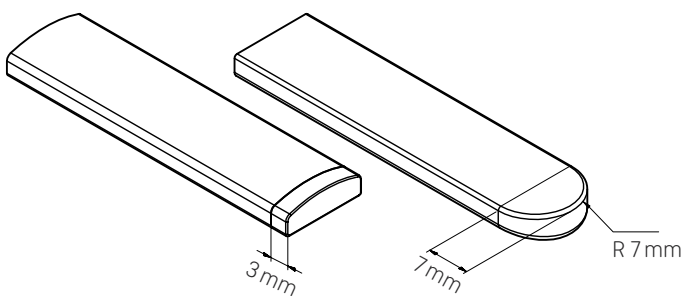
HORIZONTAL CONNECTION



SQUARE CONNECTION LEFT



SQUARE CONNECTION RIGHT



SQUARE/ROUND ENDCAPS

Product	short form	CCT	article number
CoreFlex 14/800/2K7	CF14/800/2K7	2.700 K	5123524
CoreFlex 14/800/3K0	CF14/800/3K0	3.000 K	5123525
CoreFlex 14/800/4K0	CF14/800/4K0	4.000 K	5123526
CoreFlex 14/800/5K0	CF14/800/5K0	5.000 K	5123528
Aluminum Profile MCF14	-	-	5112856