

LinearColor Flex 8/1110

Product specification sheet

With its sleek shape and completely homogenous and diffuse luminous output, the LinearColor Flex 8 is the right choice for direct lighting in design-sensitive installations. Because of its design, it is highly flexible along its horizontal axis, while also enabling vertical radii in excess of 1000 mm.

Let's design our future.

Döllken
Lighting

we create.
we innovate.

SURTECO GROUP

dimensions

measures	8 x 14 mm
step length	50 mm
pitch	not visible
max. connection length*	8,5 m

light

CCT of PCB**	2.7/4000 K
luminous flux***	156 lm/m
binning	MacAdam Step 3
CRI of PCB [Ra]	> 90
expected life time	50.000 h, LM70

electrical

voltage	24 V
power	4,8 W/m
LEDs per step	7
current per step	10 mA
constant current driver each step	no
ESD protection	no
inverse polarity connection	no
Tc°	35°C
dimnable	yes, only PWM
needed driver must comply	24 V DC SELV

mechanical

dimensions of smallest operating unit	50 x 8 x 14 mm
suitable mounting method****	aluminum mounting profile, glue
degree of protection (strip)	IP68, 10 m
degree of protection (connection)	IP68, 10 m
mechanical impact protection	IK10
bending radius vertical	1000 mm
bending radius horizontal	200 mm
aluminium profil dimensions	2.000 x 15,5 x 11 mm
aluminium profil colour	aluminium

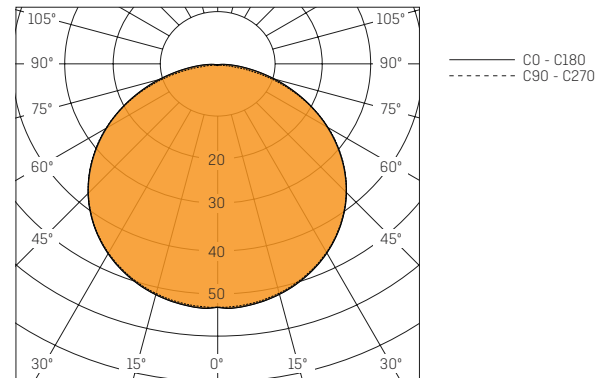
encapsulation

combustibility class	UL-94-HB
dielectric strength	18 kV/mm
halogen free	yes
chlorine free	yes

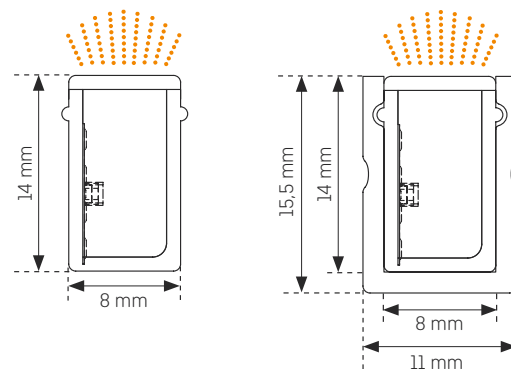
environmental /compliances

ambient temperature	-20 °C to +60 °C
WEEE-Reg. No.	41380720, Döllken Lighting Flex Line
compliances	CE, RoHS, DIN EN 62031:2008, DIN EN 62717
warranty	5 years (conditions apply)
energy efficiency class	A - A++

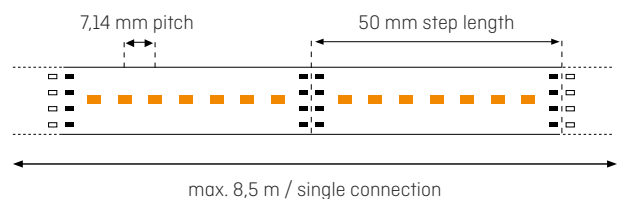
light intensity distribution



technical drawings



step schematic

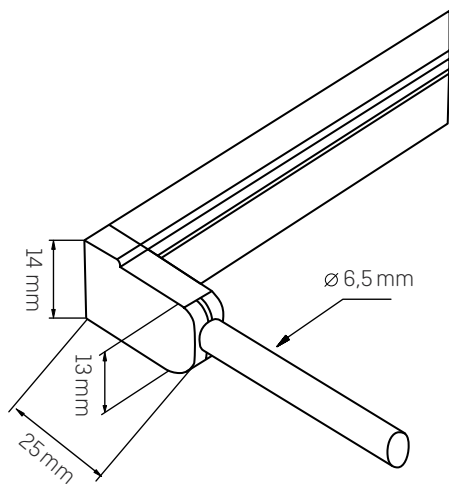


* maximum connection length with constant light output depends on cable length

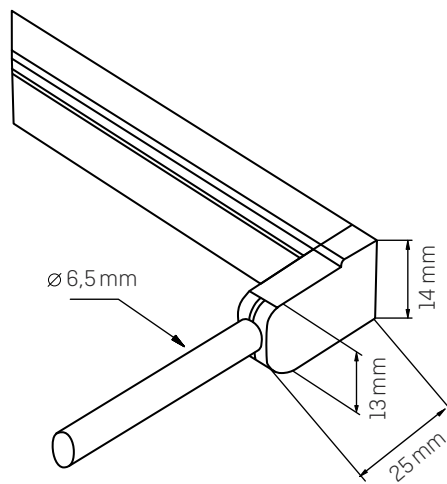
** correlated colour temperature of PCB, encapsulation will affect the colour temperature

*** luminous flux is related to 2.700 K

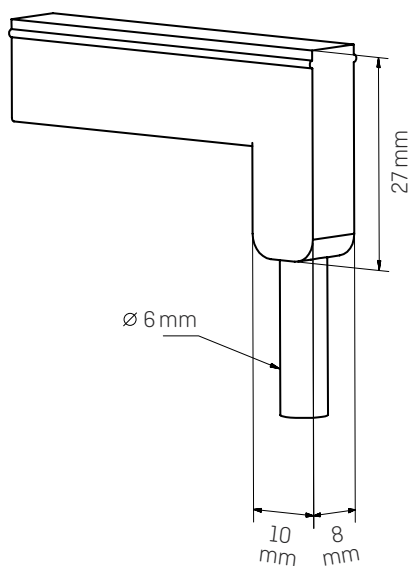
**** the LED modules are being delivered without any adhesive tape or glue, aluminum profiles have to be ordered separately, recommendations regarding suitable glue/tapes are being given for individual projects



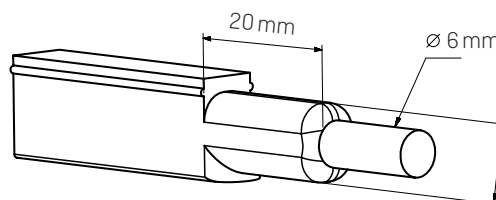
SQUARE CONNECTION RIGHT



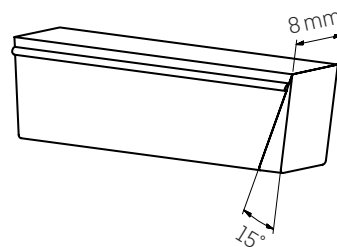
SQUARE CONNECTION LEFT



VERTICAL CONNECTION



HORIZONTAL CONNECTION



SQUARE ENDCAPS

Product	short form	CCT	article number
LinearColor Flex 8/1110/2K7 white/opal	LCF 8/1110/2K7 wh/op	3.000 K	5123598
LinearColor Flex 8/1110/4K0 white/opal	LCF 8/1110/4K0 wh/op	4.000 K	5123599
Aluminum Profile LCF8 small	-	-	5902840