

LinearColor Flex 8/800

# Product specification sheet

With its sleek shape and completely homogenous and diffuse luminous output, the LinearColor Flex 8 is the right choice for direct lighting in design-sensitive installations. Because of its design, it is highly flexible along its horizontal axis, while also enabling vertical radii in excess of 1000 mm.

Let's design our future.

**Döllken**  
Lighting

we create.  
we innovate.

SURTECO GROUP

## dimensions

measures	8 x 14 mm
step length	50 mm
pitch	not visible
max. connection length	10 m

## light

CCT of PCB*	2.7/3/4/5.000 K
luminous flux**	320 lm/m
binning	MacAdam Step 4
CRI of PCB [Ra]	> 90, (5.000K > 80)
expected life time	50.000 h, LM70

## electrical

voltage	24 V
power	19,2 W/m
LEDs per step	5
current per step	40 mA
constant current driver	yes
each step	
ESD protection	yes
inverse polarity connection	yes
Tc°	55°C
dimmable	yes, only PWM
needed driver must comply	24 V DC SELV

## mechanical

dimensions of smallest operating unit	50 x 8 x 14 mm
suitable mounting method***	aluminum mounting profile, glue
degree of protection (strip)	IP68, 10 m
degree of protection (connection)	IP68, 10 m
mechanical impact protection	IK10
bending radius vertical	1000 mm
bending radius horizontal	200 mm
aluminium profil dimensions	2.000 x 15,5 x 11 mm
aluminium profil colour	aluminium

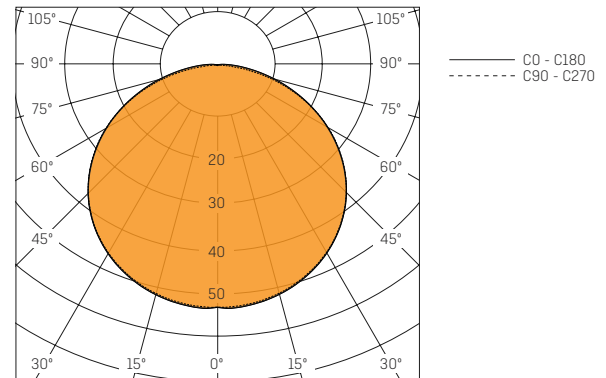
## encapsulation

combustibility class	UL-94-HB
dielectric strength	18 kV/mm
halogen free	yes
chlorine free	yes

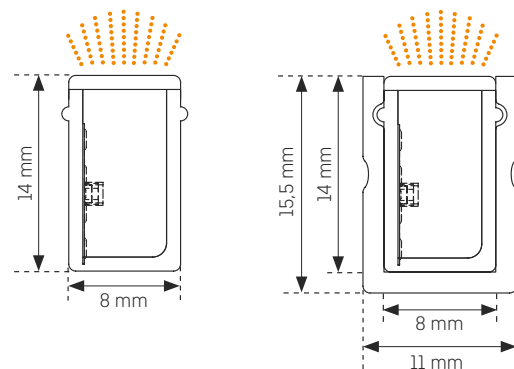
## environmental /compliances

ambient temperature	-20 °C to +60 °C
WEEE-Reg. No.	41380720, Döllken Lighting Flex Line
compliances	CE, RoHS, DIN EN 62031:2008, DIN EN 62717
warranty	5 years (conditions apply)
energy efficiency class	A - A++

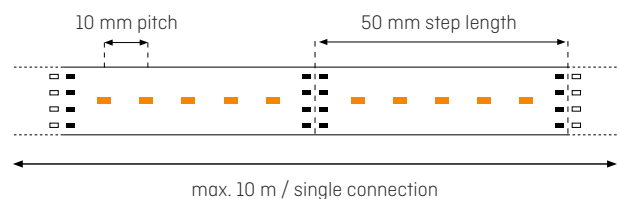
## light intensity distribution



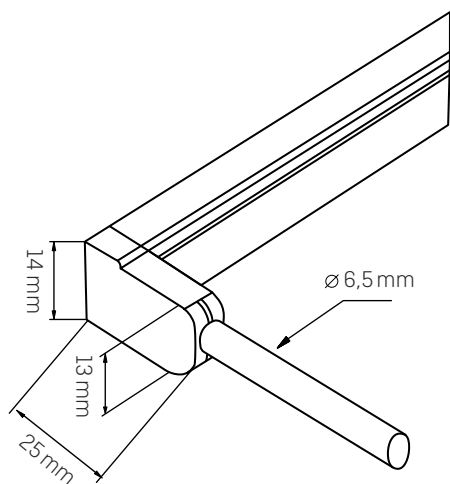
## technical drawings



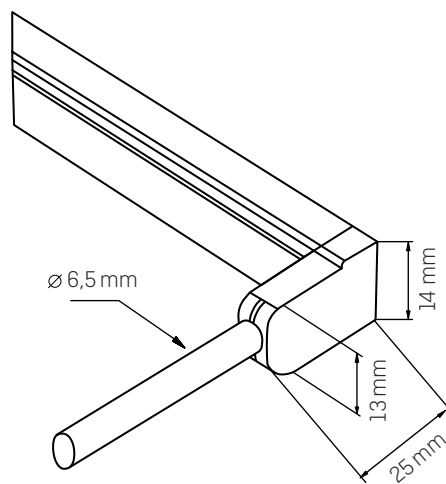
## step schematic



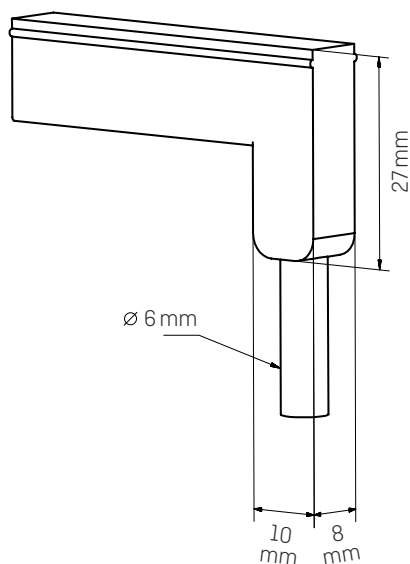
\* correlated colour temperature of PCB, encapsulation will affect the colour temperature  
 \*\* luminous flux is related to 5.000 K, warmer colour temperatures will reduce the luminous flux, all data are showing typical values, actual lumen output can be less and depends also on surface colour  
 \*\*\* the LED modules are being delivered without any adhesive tape or glue, aluminum profiles have to be ordered separately, recommendations regarding suitable glue/tapes are being given for individual projects



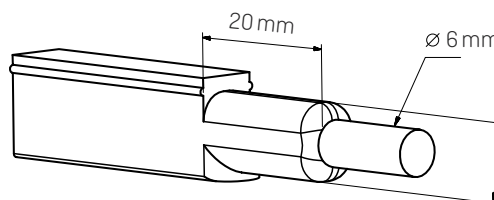
SQUARE CONNECTION RIGHT



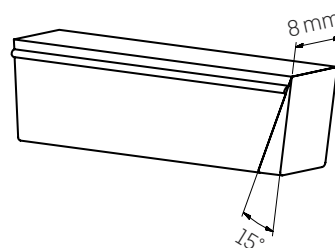
SQUARE CONNECTION LEFT



VERTICAL CONNECTION



HORIZONTAL CONNECTION



SQUARE ENDCAPS

Product

short form

CCT

article number

Product	short form	CCT	article number
LinearColor Flex 8/800/2K7 white/opal	LCF 8/800/2K7 wh/op	2.700 K	5123487
LinearColor Flex 8/800/3K0 white/opal	LCF 8/800/3K0 wh/op	3.000 K	5123588
LinearColor Flex 8/800/4K0 white/opal	LCF 8/800/4K0 wh/op	4.000 K	5123589
LinearColor Flex 8/800/5K0 white/opal	LCF 8/800/5K0 wh/op	5.000 K	5123590
Aluminum Profile LCF8 small	-	-	5902840

Döllken Profiles GmbH

Döllken Lighting

Industriestraße 1

59199 Bönen | Germany

Tel.: +49 (0) 36 43 / 41 70-540

E-Mail: info@doellken-lighting.com

www.doellken-lighting.com