

LinearColor Flex 8/RGB

# Product specification sheet

With its sleek shape and completely homogenous and diffuse luminous output, the LinearColor Flex 8 is the right choice for direct lighting in design-sensitive installations. Because of its design, it is highly flexible along its horizontal axis, while also enabling vertical radii in excess of 1000 mm.

Let's design our future.

**Döllken**  
Lighting

we create.  
we innovate.

SURTECO GROUP

## dimensions

|                        |             |
|------------------------|-------------|
| measures               | 8 x 14 mm   |
| step length            | 57 mm       |
| pitch                  | not visible |
| max. connection length | 5,13 m      |

## light

|                    |                |
|--------------------|----------------|
| CCT of PCB*        | RGB-Version    |
| luminous flux**    | 170 lm/m       |
| binning            | White Binning  |
| CRI of PCB [Ra]    | -              |
| expected life time | 30.000 h, LM70 |

## electrical

|                             |               |
|-----------------------------|---------------|
| voltage                     | 24 V          |
| power                       | 25,3 W/m      |
| LEDs per step               | 5             |
| current per step            | 60 mA         |
| constant current driver     | yes           |
| each step                   |               |
| ESD protection              | yes           |
| inverse polarity connection | yes           |
| Tc°                         | 65°C          |
| dimnable                    | yes, only PWM |
| needed driver must comply   | 24 V DC SELV  |

## mechanical

|                                       |                                 |
|---------------------------------------|---------------------------------|
| dimensions of smallest operating unit | 57 x 8 x 14 mm                  |
| suitable mounting method***           | aluminum mounting profile, glue |
| degree of protection (strip)          | IP68, 10 m                      |
| degree of protection (connection)     | IP68, 10 m                      |
| mechanical impact protection          | IK10                            |
| bending radius vertical               | 1000 mm                         |
| bending radius horizontal             | 200 mm                          |
| aluminium profil dimensions           | 2.000 x 15,5 x 11 mm            |
| aluminium profil colour               | aluminium                       |

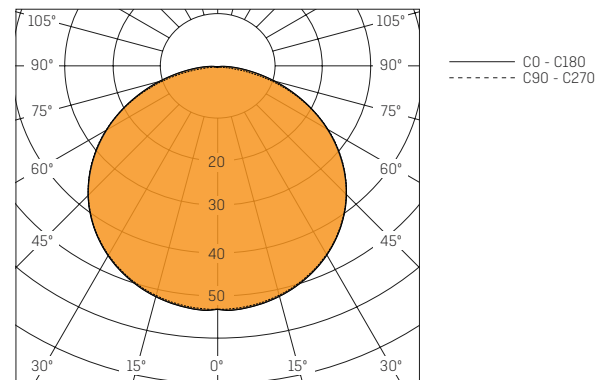
## encapsulation

|                      |          |
|----------------------|----------|
| combustibility class | UL-94-HB |
| dielectric strength  | 18 kV/mm |
| halogen free         | yes      |
| chlorine free        | yes      |

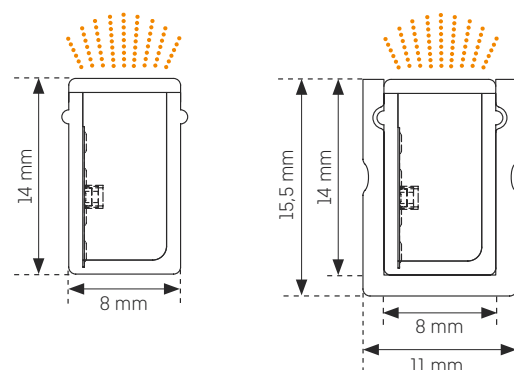
## environmental /compliances

|                         |                                           |
|-------------------------|-------------------------------------------|
| ambient temperature     | -20 °C to +55 °C                          |
| WEEE-Reg. No.           | 41380720, Döllken Lighting Flex Line      |
| compliances             | CE, RoHS, DIN EN 62031:2008, DIN EN 62717 |
| warranty                | 5 years (conditions apply)                |
| energy efficiency class | A - A++                                   |

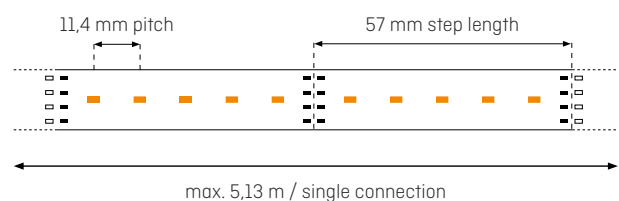
## light intensity distribution



## technical drawings



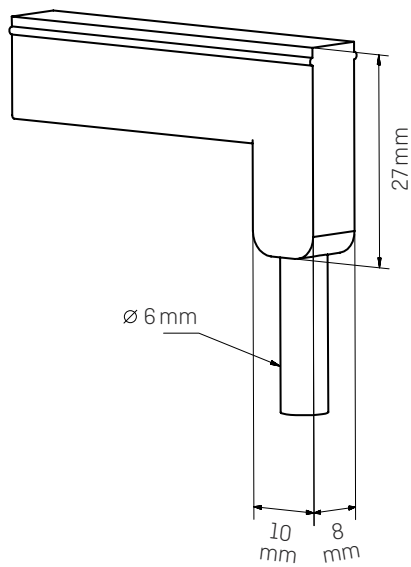
## step schematic



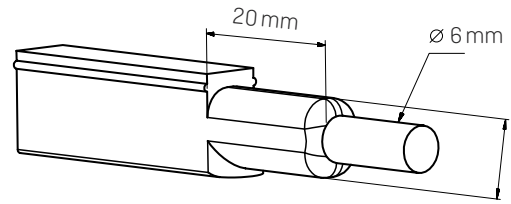
\* correlated colour temperature of PCB, encapsulation will affect the colour temperature

\*\* luminous flux is related to 5.000 K, warmer colour temperatures will reduce the luminous flux, all data are showing typical values, actual lumen output can be less and depends also on surface colour

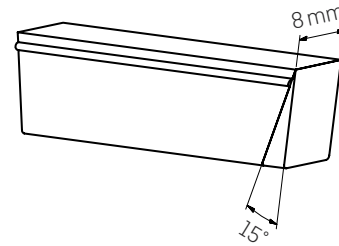
\*\*\* the LED modules are being delivered without any adhesive tape or glue, aluminum profiles have to be ordered separately, recommendations regarding suitable glue/tapes are being given for individual projects



VERTICAL CONNECTION



HORIZONTAL CONNECTION



SQUARE ENDCAPS

**Product**

**short form**

**CCT**

**article number**

LinearColor Flex 8/RGB  
Aluminum Profile LCF8 small

LCF 8/RGB  
-

RGB-Version  
-

5112678  
5902840