

LinearColor Flex 8/RGBW

Product specification sheet

With its sleek shape and completely homogenous and diffuse luminous output, the LinearColor Flex 8 is the right choice for direct lighting in design-sensitive installations. Because of its design, it is highly flexible along its horizontal axis, while also enabling vertical radii in excess of 1000 mm.

Let's design our future.

Döllken
Lighting

.....
we create.
we innovate.

SURTECO GROUP

dimensions

measures	18 x 14 mm
step length	57 mm
pitch	not visible
max. connection length	5,13 m

light

CCT of PCB*	2K7+RGB-Version
luminous flux**	170 - 340 lm/m
binning	White Binning and MacAdam Step4
CRI of PCB [Ra]	-
expected life time	30.000 h, LM70

electrical

voltage	24 V
power	33,7 W/m
LEDs per step	5
current per step***	80 mA
constant current driver each step	yes
ESD protection	yes
inverse polarity connection	yes
Tc°	65°C
dimnable	yes, only PWM
needed driver must comply	24 V DC SELV

mechanical

dimensions of smallest operating unit	57 x 8 x 14 mm
suitable mounting method****	aluminum mounting profile, glue
degree of protection (strip)	IP68, 10 m
degree of protection (connection)	IP68, 10 m
mechanical impact protection	IK10
bending radius vertical	1000 mm
bending radius horizontal	200 mm
aluminium profil dimensions	2.000 x 15,5 x 11 mm
aluminium profil colour	aluminium

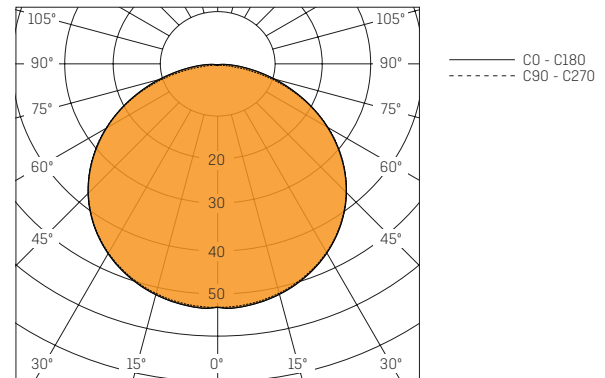
encapsulation

combustibility class	UL-94-HB
dielectric strength	18 kV/mm
halogen free	yes
chlorine free	yes

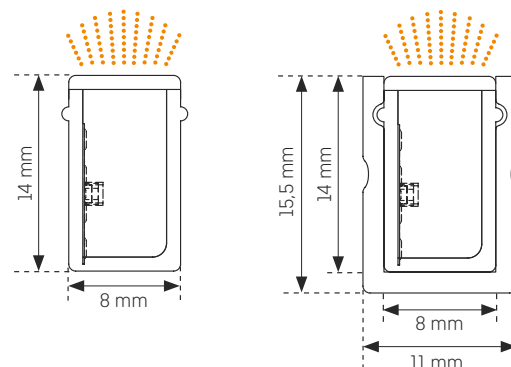
environmental /compliances

ambient temperature	-20 °C to +55 °C
WEEE-Reg. No.	41380720, Döllken Lighting Flex Line
compliances	CE, RoHS, DIN EN 62031:2008, DIN EN 62717
warranty	5 years (conditions apply)
energy efficiency class	A - A++

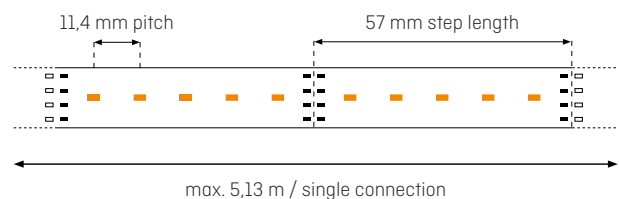
light intensity distribution



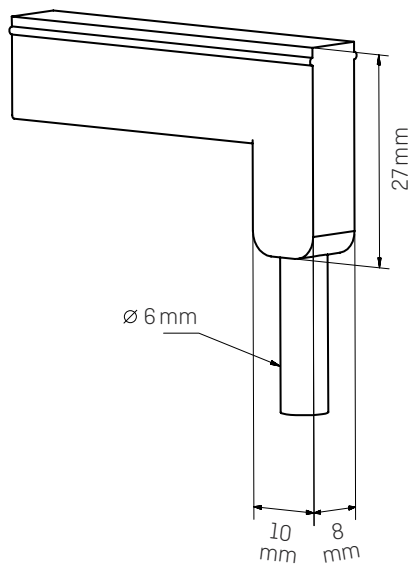
technical drawings



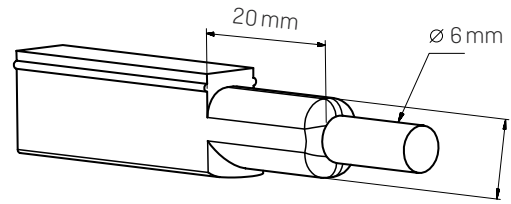
step schematic



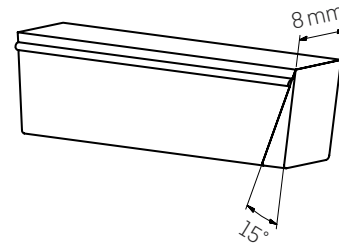
* correlated colour temperature of PCB, encapsulation will affect the colour temperature
 ** luminous flux is related to 5.000 K, warmer colour temperatures will reduce the luminous flux, all data are showing typical values, actual lumen output can be less and depends also on surface colour
 *** at full power of all channels
 **** the LED modules are being delivered without any adhesive tape or glue, aluminum profiles have to be ordered separately, recommendations regarding suitable glue/tapes are being given for individual projects



VERTICAL CONNECTION



HORIZONTAL CONNECTION



SQUARE ENDCAPS

Product

short form

CCT

article number

LinearColor Flex 8/RGBW
Aluminum Profile LCF8 small

LCF 8/RGBW
-

2K7+RGB-Version
-

5114188
5902840