

MultiColor Flex 14/400

Product specification sheet

The MultiColor Flex 14 is encased in opal, white plastic, but its low height nevertheless provides it with a visible pitch, and it is therefore particularly suited for indirect lighting installations where the actual conductor film should not be visible.

Let's design our future.

Döllken
Lighting

we create.
we innovate.

SURTECO GROUP

dimensions

measures	14,2 x 4,5 mm
step length	50 mm
pitch	10 mm
max. connection length	13 m

light

CCT of PCB*	2.7/3/4/5.000 K
luminous flux**	260 lm/m
binning	MacAdam Step 4
CRI of PCB [Ra]	> 90, (5.000K > 80)
expected life time	50.000 h, LM70

electrical

voltage	24 V
power	9,6 W/m
LEDs per step	5
current per step	20 mA
constant current driver	yes
each step	
ESD protection	yes
inverse polarity connection	yes
Tc°	45°C
dimmable	yes, only PWM
needed driver must comply	24 V DC SELV

mechanical

dimensions of smallest operating unit	50 x 14,2 x 4,5 mm
suitable mounting method***	aluminum mounting profile, glue
degree of protection (strip)	IP68, 10 m
degree of protection (connection)	IP68, 10 m
mechanical impact protection	IK08
bending radius vertical	50 mm
bending radius horizontal	200 mm
aluminium profil dimensions	2.500 x 17 x 6,7 mm
aluminium profil colour	aluminium

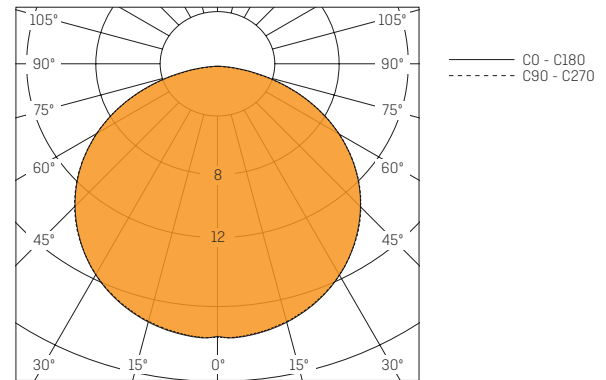
encapsulation

combustibility class	UL-94-HB
dielectric strength	18 kV/mm
halogen free	yes
chlorine free	yes

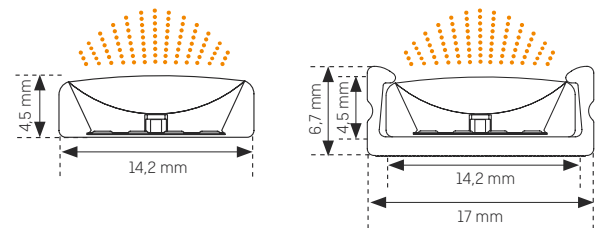
environmental /compliances

ambient temperature	-20 °C to +60 °C
WEEE-Reg. No.	41380720, Döllken Lighting Flex Line
compliances	CE, RoHS, DIN EN 62031:2008, DIN EN 62717
warranty	5 years (conditions apply)
energy efficiency class	A - A++

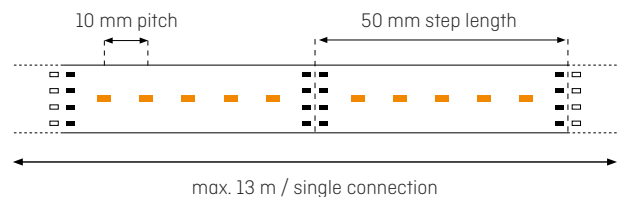
light intensity distribution



technical drawings



step schematic

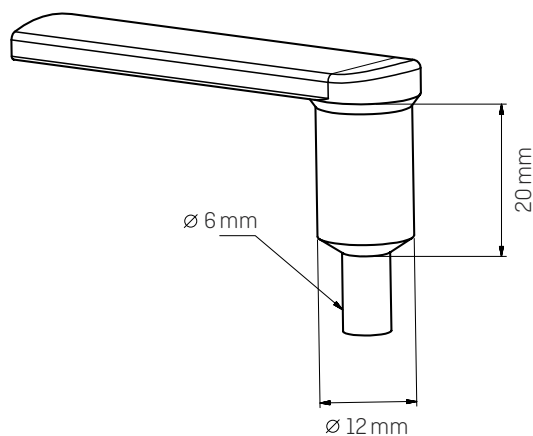


* correlated colour temperature of PCB, encapsulation will affect the colour temperature

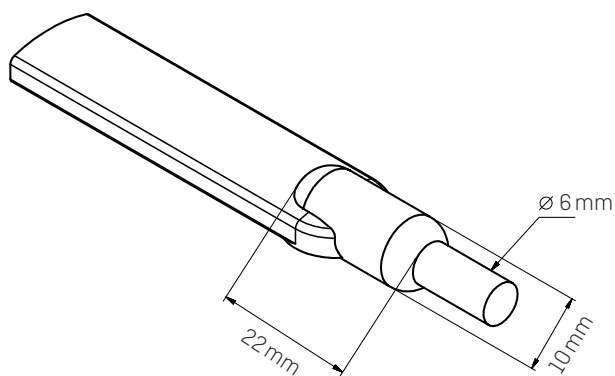
** luminous flux is related to 5.000 K, warmer colour temperatures will reduce the luminous flux, all data are showing typical values, actual lumen output can be less and depends also on surface colour

*** the LED modules are being delivered without any adhesive tape or glue, aluminum profiles have to be ordered separately, recommendations regarding suitable glue/tapes are being given for individual projects

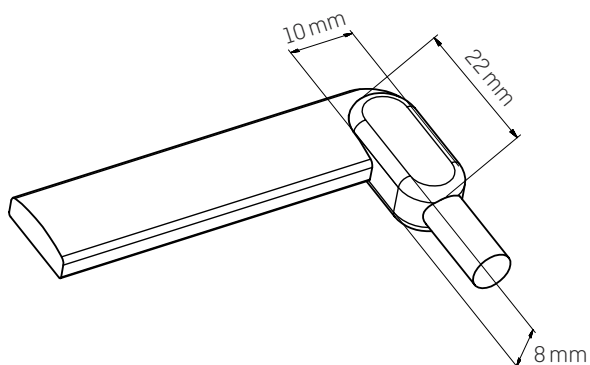
connection types



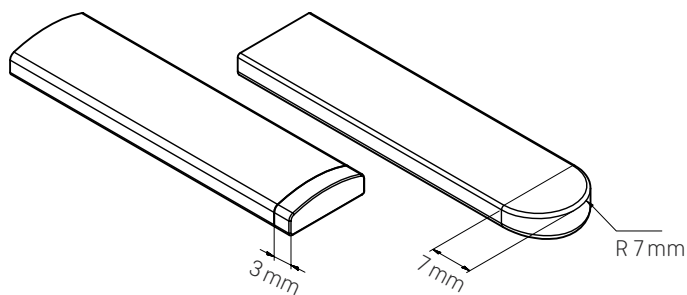
VERTICAL CONNECTION



HORIZONTAL CONNECTION



SQUARE CONNECTION



SQUARE/ROUND ENDCAPS

Product	short form	CCT	article number
MultiColorFlex 14/400/2K7 wh/op	MCF14/400/2K7 wh/op	2.700 K	5114326
MultiColorFlex 14/400/3K wh/op	MCF14/400/3K wh/op	3.000 K	5114327
MultiColorFlex 14/400/4K wh/op	MCF14/400/4K wh/op	4.000 K	5114328
MultiColorFlex 14/400/5K wh/op	MCF14/400/5K wh/op	5.000 K	5114329
Aluminum Profile MCF14	-	-	5901763