

MultiColor Flex 14/1010

Product specification sheet

The MultiColor Flex 14 is encased in opal, white plastic, but its low height nevertheless provides it with a visible pitch, and it is therefore particularly suited for indirect lighting installations where the actual conductor film should not be visible.

Let's design our future.

Döllken
Lighting

we create.
we innovate.

SURTECO GROUP

dimensions

| | |
|-------------------------|---------------|
| measures | 14,2 x 4,5 mm |
| step length | 50 mm |
| pitch | 7,14 mm |
| max. connection length* | 9,5 m |

light

| | |
|--------------------|----------------|
| CCT of PCB** | 2.7/4.000 K |
| luminous flux*** | 328 lm/m |
| binning | MacAdam Step 3 |
| CRI of PCB [Ra] | > 90 |
| expected life time | 50.000 h, LM70 |

electrical

| | |
|-----------------------------------|---------------|
| voltage | 24 V |
| power | 4,8 W/m |
| LEDs per step | 7 |
| current per step | 10 mA |
| constant current driver each step | yes |
| ESD protection | no |
| inverse polarity connection | yes |
| Tc° | 35°C |
| dimnable | yes, only PWM |
| needed driver must comply | 24 V DC SELV |

mechanical

| | |
|---------------------------------------|---------------------------------|
| dimensions of smallest operating unit | 50 x 14,2 x 4,5 mm |
| suitable mounting method**** | aluminum mounting profile, glue |
| degree of protection (strip) | IP68, 10 m |
| degree of protection (connection) | IP68, 10 m |
| mechanical impact protection | IK08 |
| bending radius vertical | 50 mm |
| bending radius horizontal | 200 mm |
| aluminium profil dimensions | 2.500 x 17 x 6,7 mm |
| aluminium profil colour | aluminium |

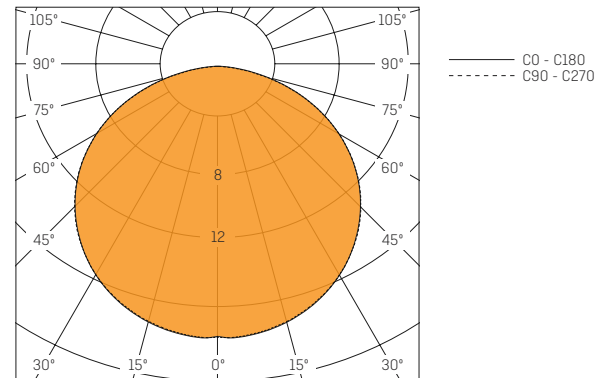
encapsulation

| | |
|----------------------|----------|
| combustibility class | UL-94-HB |
| dielectric strength | 18 kV/mm |
| halogen free | yes |
| chlorine free | yes |

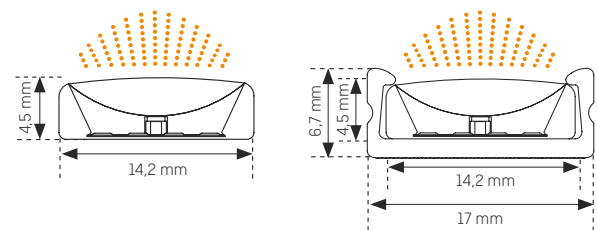
environmental /compliances

| | |
|-------------------------|---|
| ambient temperature | -20 °C to +60 °C |
| WEEE-Reg. No. | 41380720, Döllken Lighting Flex Line |
| compliances | CE, RoHS, DIN EN 62031:2008, DIN EN 62717 |
| warranty | 5 years (conditions apply) |
| energy efficiency class | A - A++ |

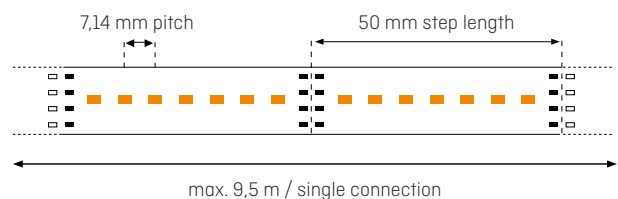
light intensity distribution



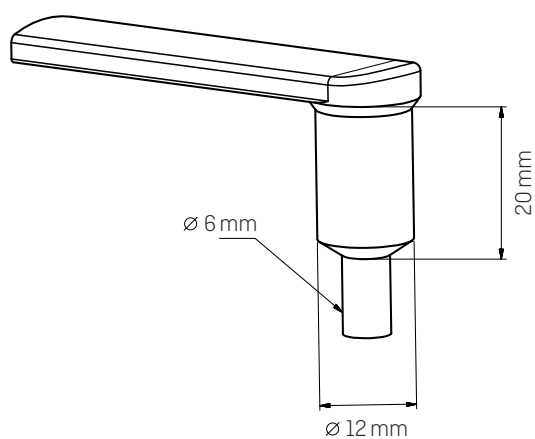
technical drawings



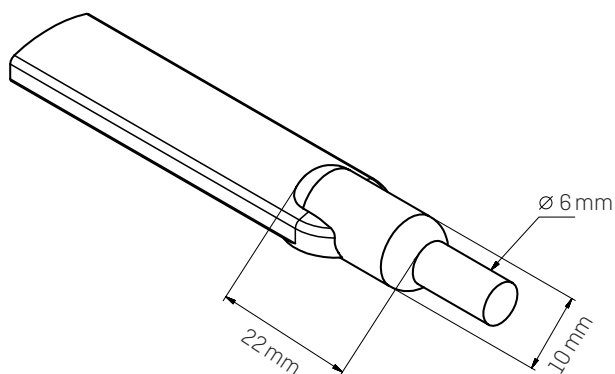
step schematic



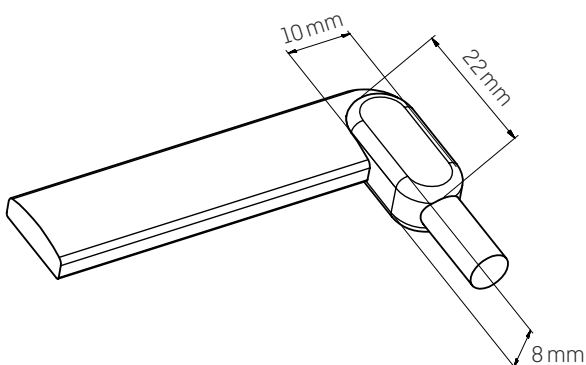
* maximum connection length with constant light output depends on cable length
 ** correlated colour temperature of PCB, encapsulation will affect the colour temperature
 *** luminous flux is related to 2.700 K
 **** the LED modules are being delivered without any adhesive tape or glue, aluminum profiles have to be ordered separately, recommendations regarding suitable glue/tapes are being given for individual projects



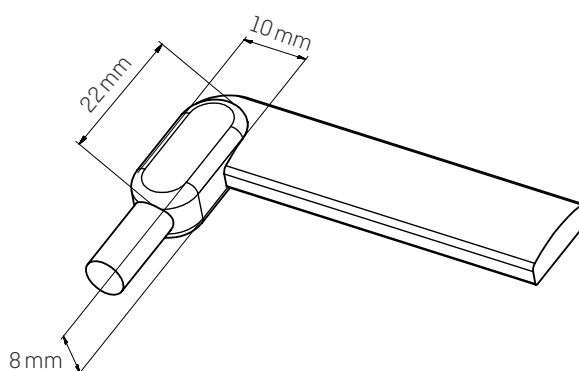
VERTICAL CONNECTION



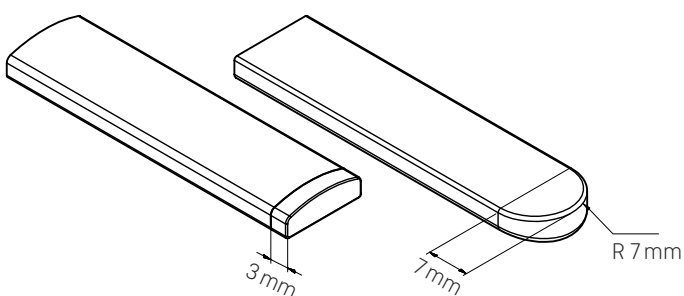
HORIZONTAL CONNECTION



SQUARE CONNECTION LEFT



SQUARE CONNECTION RIGHT



SQUARE/ROUND ENDCAPS

| Product | short form | CCT | article number |
|----------------------------------|----------------------|---------|----------------|
| MultiColorFlex 14/1010/2K7 wh/op | MCF14/1010/2K7 wh/op | 2.700 K | 5123558 |
| MultiColorFlex 14/1010/4K0 wh/op | MCF14/1010/4K0 wh/op | 4.000 K | 5123559 |
| Aluminum Profile MCF14 | - | - | 5118256 |

Döllken Profiles GmbH
Döllken Lighting
 Industriestraße 1
 59199 Bönen | Germany
 Tel.: +49 (0) 36 43 / 41 70-540
 E-Mail: info@doellken-lighting.com
 www.doellken-lighting.com