

MultiColor Flex 14/1110

Product specification sheet

The MultiColor Flex 14 is encased in opal, white plastic, but its low height nevertheless provides it with a visible pitch, and it is therefore particularly suited for indirect lighting installations where the actual conductor film should not be visible.

Let's design our future.

Döllken
Lighting

we create.
we innovate.

SURTECO GROUP

dimensions

measures	14,2 x 4,5 mm
step length	50 mm
pitch	7,14 mm
max. connection length*	8,5 m

light

CCT of PCB**	2.7/3/4/5.000 K
luminous flux***	281 lm/m
binning	MacAdam Step 3
CRI of PCB [Ra]	> 90
expected life time	50.000 h, LM70

electrical

voltage	24 V
power	4,8 W/m
LEDs per step	7
current per step	10 mA
constant current driver each step	no
ESD protection	no
inverse polarity connection	no
Tc°	35°C
dimnable	yes, only PWM
needed driver must comply	24 V DC SELV

mechanical

dimensions of smallest operating unit	50 x 14,2 x 4,5 mm
suitable mounting method****	aluminum mounting profile, glue
degree of protection (strip)	IP68, 10 m
degree of protection (connection)	IP68, 10 m
mechanical impact protection	IK08
bending radius vertical	50 mm
bending radius horizontal	200 mm
aluminium profil dimensions	2.500 x 17 x 6,7 mm
aluminium profil colour	aluminium

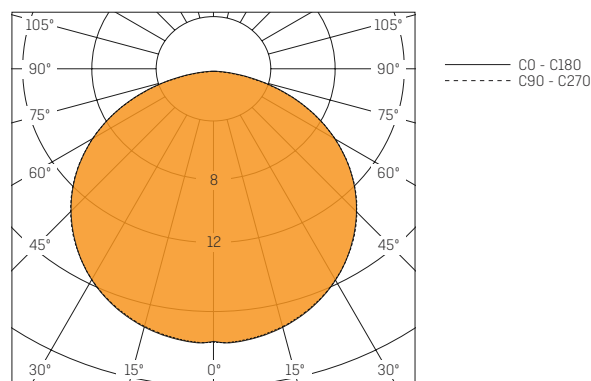
encapsulation

combustibility class	UL-94-HB
dielectric strength	18 kV/mm
halogen free	yes
chlorine free	yes

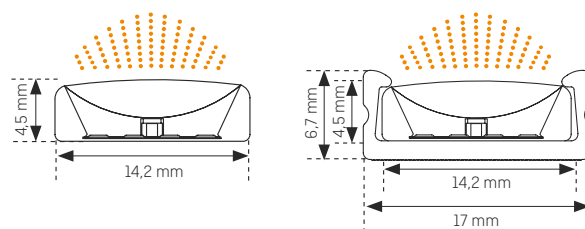
environmental /compliances

ambient temperature	-20 °C to +60 °C
WEEE-Reg. No.	41380720, Döllken Lighting Flex Line
compliances	CE, RoHS, DIN EN 62031:2008, DIN EN 62717
warranty	5 years (conditions apply)
energy efficiency class	A - A++

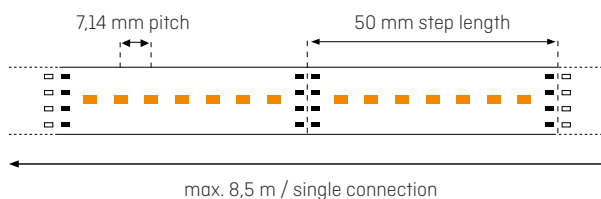
light intensity distribution



technical drawings



step schematic



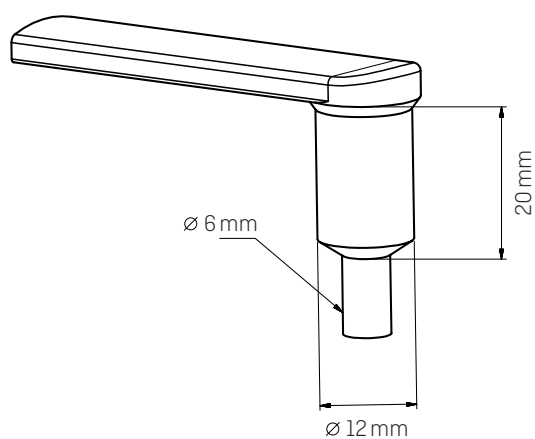
* maximum connection length with constant light output depends on cable length

** correlated colour temperature of PCB, encapsulation will affect the colour temperature

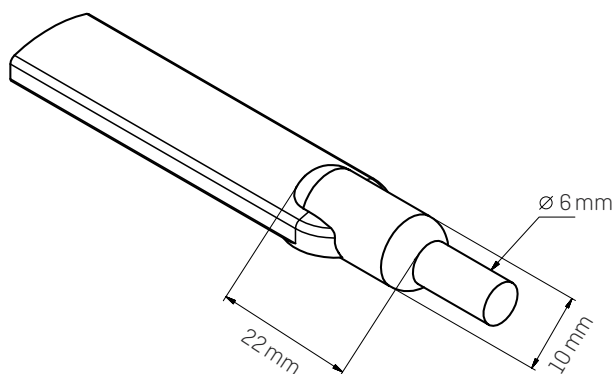
*** luminous flux is related to 2.700 K

**** the LED modules are being delivered without any adhesive tape or glue, aluminum profiles have to be ordered separately, recommendations regarding suitable glue/tapes are being given for individual projects

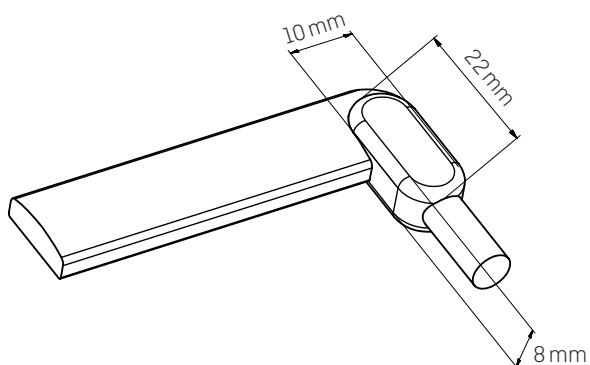
connection types



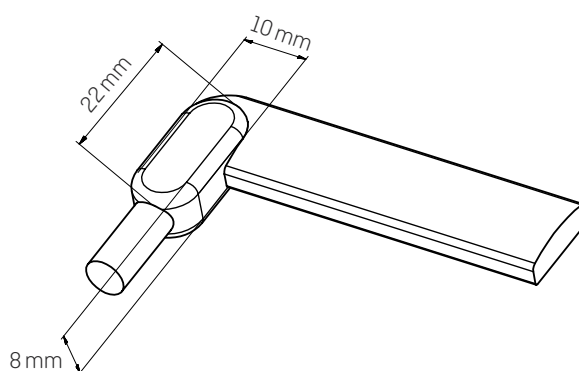
VERTICAL CONNECTION



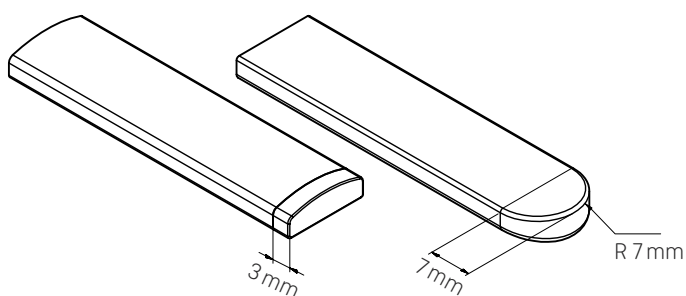
HORIZONTAL CONNECTION



SQUARE CONNECTION LEFT



SQUARE CONNECTION RIGHT



SQUARE/ROUND ENDCAPS

Product

short form

CCT

article number

MultiColorFlex 14/1110/2K7 wh/op

MCF14/1110/2K7 wh/op

2.700 K

5123565

MultiColorFlex 14/1110/4K0wh/op

MCF14/1110/4K0 wh/op

4.000 K

5123566

Aluminum Profile MCF14

-

-

5118256

Döllken Profiles GmbH

Döllken Lighting

Industriestraße 1

59199 Bönen | Germany

Tel.: +49 (0) 36 43 / 41 70-540

E-Mail: info@doellken-lighting.com

www.doellken-lighting.com