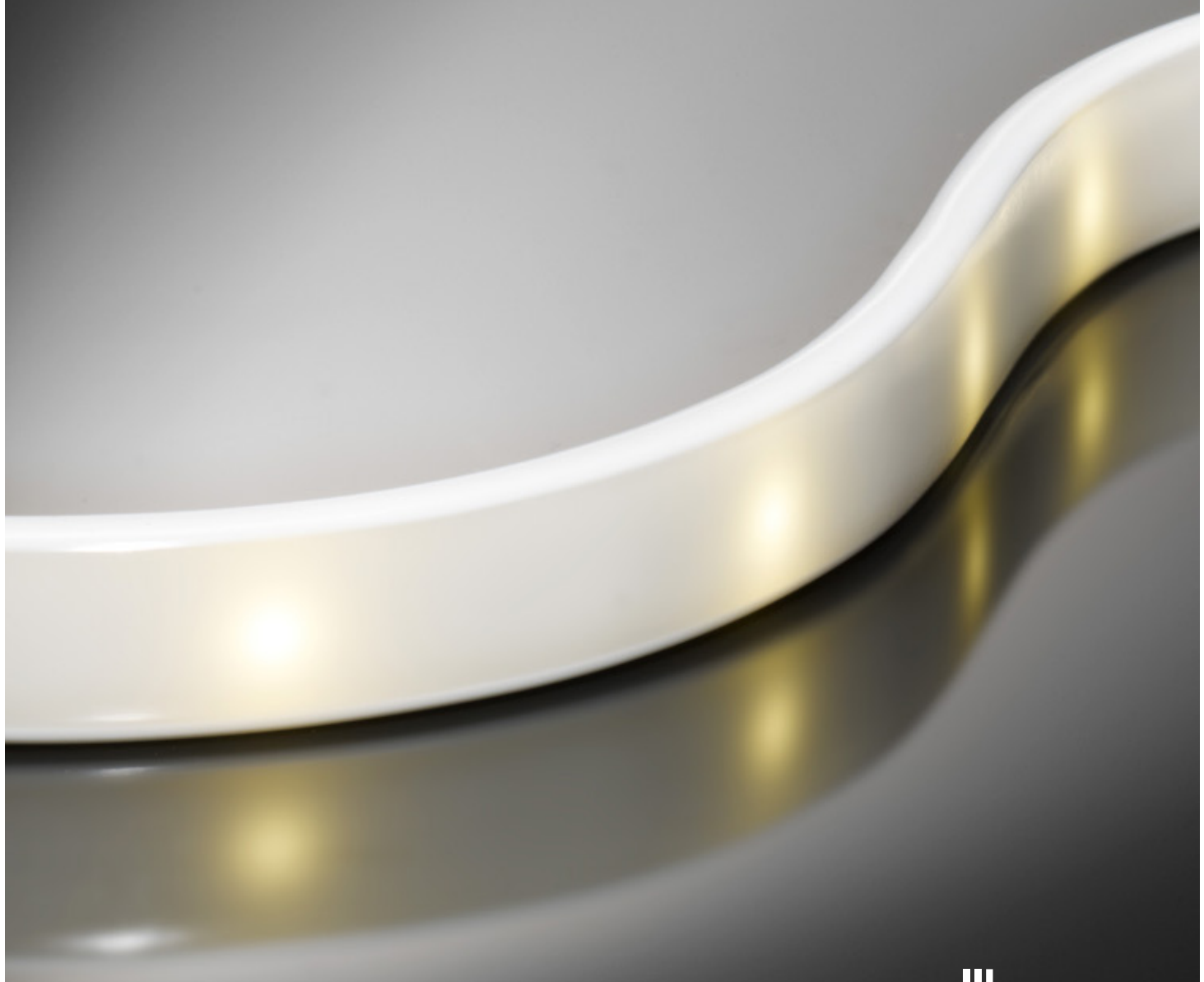


MultiColor Flex 14/400

LED strips with infinite potential



Produktdatenblatt
(Product specification sheet)

DÖLKEN
L I G H T I N G
A SURTECO COMPANY

dimensions

measures	14 x 4.7 mm
step length	50 mm
pitch	10 mm
max. connection length	13 m

light

CCT of PCB*	2.7/3/4/5.000 K
luminous flux**	260 lm/m
binning	MacAdam Step 4
CRI of PCB (Ra)	> 90, (5000K >80)
expected life time	50,000 h, LM70

* closest colour temperature of PCB, encapsulation will affect the colour temperature

** luminous flux is related to 5.000 K, warmer colour temperatures will reduce the luminous flux. all data are showing typical values, actual lumen output can be less and depends also on surface colour

electrical

voltage	24 V
power	9,6 W/m
LEDs per step	5
current per step	20 mA
constant current driver each step	✓
ESD protection	✓
inverse polarity connection	✓
Tc°	45 °C
dimnable	✓ only PWM
needed driver must comply	24 V DC SELV

mechanical

dimensions of smallest operating unit	50 x 14 x 4,7 mm
suitable mounting method***	aluminum mounting profile, glue
degree of protection (strip)	IP68, 10 m
degree of protection (connection)	IP68, 10 m
mechanical impact protection	IK06, IK10 pending
bending radius vertical	50 mm
bending radius horizontal	200 mm

*** the LED modules are being delivered without any adhesive tape or glue, aluminum profiles have to be ordered separately, recommendations regarding suitable glue/tapes are being given for individual projects

encapsulation

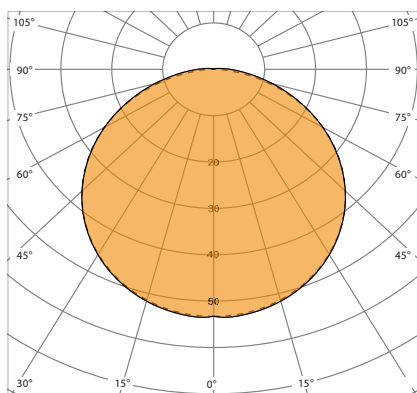
combustibility class	UL-94-HB
dielectric strength	18 kV/mm
halogen free	✓
chlorine free	✓
resistances	salt, water, acids, UV, oil, cleaning supplies, microbiological attack*

* additional details on request

environmental /compliances

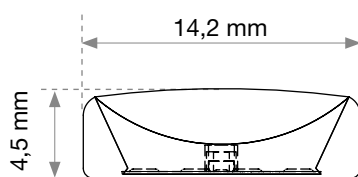
ambient temperature	-20 °C to +60 °C
WEEE-Reg. No.	41380720, Döllken Lighting Flex Line
compliances	CE, RoHS, DIN EN 62031:2008, DIN EN 62717
warranty	5 years (conditions apply)
energy efficiency class	A - A++

light intensity distribution

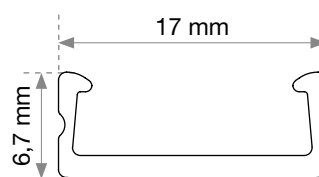


— C0 - C180
- - - C90 - C270

technical drawings

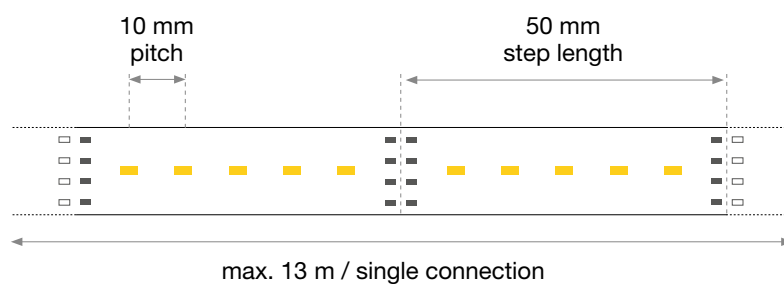


LED stripe

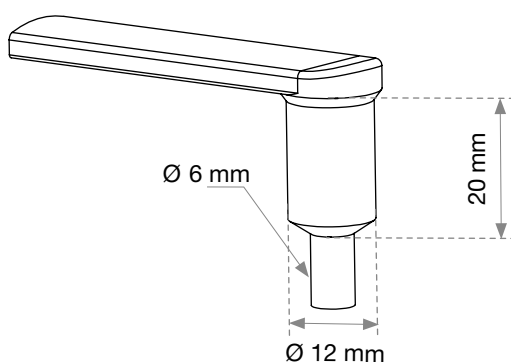


aluminium mounting profile

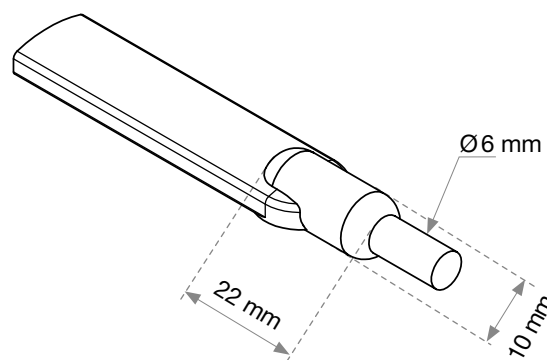
steps



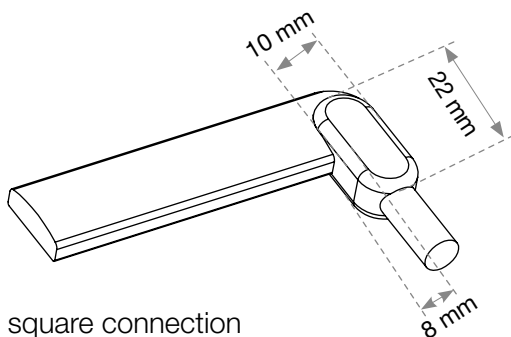
connection types & mounting profile



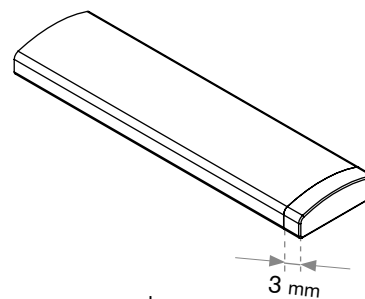
vertical connection



horizontal connection



square connection



square endcaps

article number

	article number		article number
LED MCF14/400/2K7 transp.:	5114173	LED MCF14/400/4K0 transp.:	5114175
LED MCF14/400/2K7 wh/op:	5114326	LED MCF14/400/4K0 wh/op:	5114328
LED MCF14/400/3K0 transp.:	5114174	LED MCF14/400/5K0 transp.:	5114176
LED MCF14/400/3K0 wh/op:	5114327	LED MCF14/400/5K0 wh/op:	5114329
aluminium profile for MultiColor Flex 14, all versions:	5901763		