

LinearColor Flex 8/1010

# Product specification sheet

With its sleek shape and completely homogenous and diffuse luminous output, the LinearColor Flex 8 is the right choice for direct lighting in design-sensitive installations. Because of its design, it is highly flexible along its horizontal axis, while also enabling vertical radii in excess of 1000 mm.

Let's design our future.

**Döllken**  
Lighting

we create.  
we innovate.

SURTECO GROUP

## dimensions

measures	8 x 14 mm
step length	50 mm
pitch	not visible
max. connection length*	9,5 m

## light

CCT of PCB**	2.7/3***/4/5.000 K
luminous flux****	120 lm/m
binning	MacAdam Step 3
CRI of PCB [Ra]	> 90
expected life time	50.000 h, LM70

## electrical

voltage	24 V
power	4,8 W/m
LEDs per step	7
current per step	10 mA
constant current driver each step	yes
ESD protection	no
inverse polarity connection	yes
Tc°	35°C
dimnable	yes, only PWM
needed driver must comply	24 V DC SELV

## mechanical

dimensions of smallest operating unit	50 x 8 x 14 mm
suitable mounting method*****	aluminum mounting profile, glue
degree of protection (strip)	IP68, 10 m
degree of protection (connection)	IP68, 10 m
mechanical impact protection	IK10
bending radius vertical	1000 mm
bending radius horizontal	200 mm
aluminium profil dimensions	2.000 x 15,5 x 11 mm
aluminium profil colour	aluminium

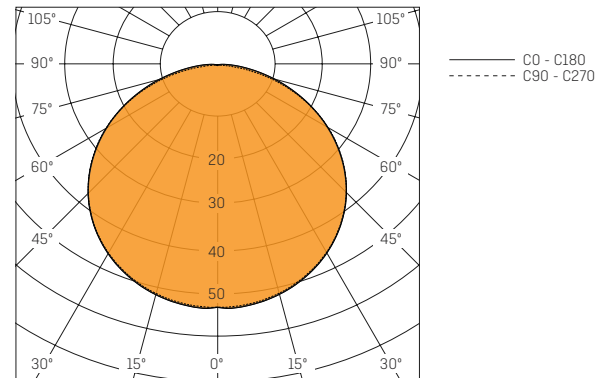
## encapsulation

combustibility class	UL-94-HB
dielectric strength	18 kV/mm
halogen free	yes
chlorine free	yes

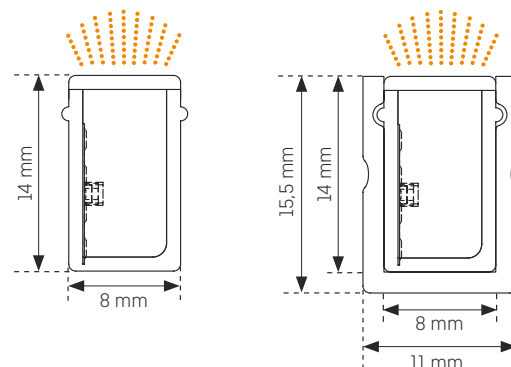
## environmental /compliances

ambient temperature	-20 °C to +60 °C
WEEE-Reg. No.	41380720, Döllken Lighting Flex Line
compliances	CE, RoHS, DIN EN 62031:2008, DIN EN 62717
warranty	5 years (conditions apply)
energy efficiency class	A - A++

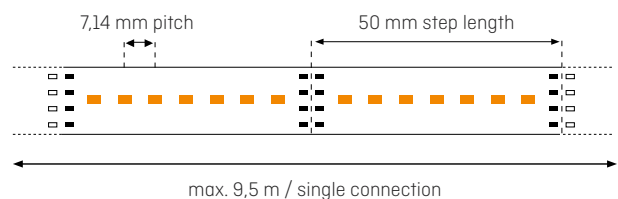
## light intensity distribution



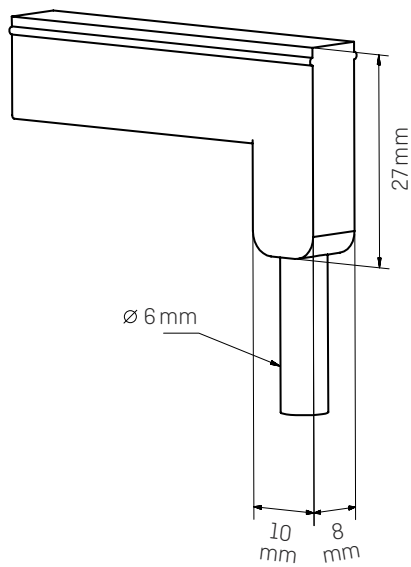
## technical drawings



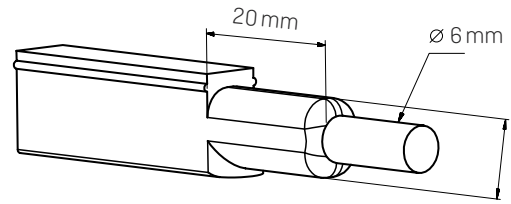
## step schematic



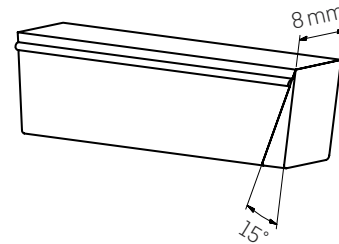
\* maximum connection length with constant light output depends on cable length  
 \*\* correlated colour temperature of PCB, encapsulation will affect the colour temperature  
 \*\*\* measured correlated colour temperature of encapsulated LED strip  
 \*\*\*\* luminous flux is related to 5.000 K, warmer colour temperatures will reduce the luminous flux, all data are showing typical values, actual lumen output can be less and depends also on surface colour  
 \*\*\*\*\* the LED modules are being delivered without any adhesive tape or glue, aluminum profiles have to be ordered separately, recommendations regarding suitable glue/tapes are being given for individual projects



VERTICAL CONNECTION



HORIZONTAL CONNECTION



SQUARE ENDCAPS

Product	short form	CCT	article number
LinearColor Flex 8/1010/2K7 white/opal	LCF 8/1010/2K7 wh/op	2.700 K	5118263
LinearColor Flex 8/1010/3K white/opal	LCF 8/1010/3K wh/op	3.000 K	-
LinearColor Flex 8/1010/4K white/opal	LCF 8/1010/4K wh/op	4.000 K	5120832
LinearColor Flex 8/1010/5K white/opal	LCF 8/1010/5K wh/op	5.000 K	-
Aluminum Profile LCF8 small	-	-	5902840