

MultiColor Flex 14/09ConstantCurrent

Product specification sheet

The MultiColor Flex 14 is encased in opal, white plastic, but its low height nevertheless provides it with a visible pitch, and it is therefore particularly suited for indirect lighting installations where the actual conductor film should not be visible.

Let's design our future.

Döllken
Lighting

.....
we create.
we innovate.

SURTECO GROUP

dimensions

measures	14,2 x 4,5 mm
step length	50 mm
pitch	9,4 mm
max. connection length	dep. on setup

light

CCT of PCB*	2.7/3/4/5.000 K
luminous flux**	120 - 900 lm/m
binning	MacAdam Step 3
CRI of PCB [Ra]	> 90
expected life time	50.000 h, LM70

electrical

voltage	48 V
power	max. 19,2 W/m
LEDs per step	16
current per step	dep. on setup
constant current driver each step	no
ESD protection	no
inverse polarity connection	no
Tc°	dep. on setup
dimnable	yes, current with PWM
needed driver must comply	48 V DC SELV
Design of PCB	Constant Current

mechanical

dimensions of smallest operating unit	50 x 14,2 x 4,5 mm
suitable mounting method***	aluminum mounting profile, glue
degree of protection (strip)	IP68, 10 m
degree of protection (connection)	IP68, 10 m
mechanical impact protection	IK08
bending radius vertical	50 mm
bending radius horizontal	200 mm
aluminium profil dimensions	2.500 x 17 x 6,7 mm
aluminium profil colour	aluminium

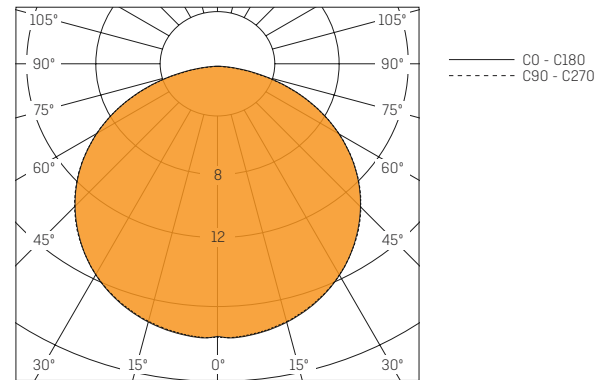
encapsulation

combustibility class	UL-94-HB
dielectric strength	18 kV/mm
halogen free	yes
chlorine free	yes

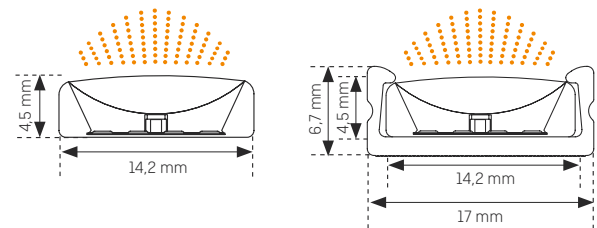
environmental /compliances

ambient temperature	-20 °C to +60 °C
WEEE-Reg. No.	41380720, Döllken Lighting Flex Line
compliances	CE, RoHS, DIN EN 62031:2008, DIN EN 62717
warranty	5 years (conditions apply)
energy efficiency class	A - A++

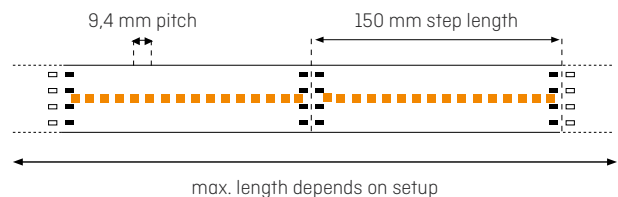
light intensity distribution



technical drawings



step schematic

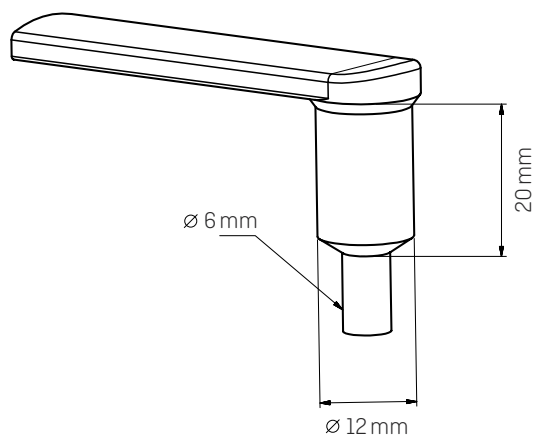


* correlated colour temperature of PCB, encapsulation will affect the colour temperature

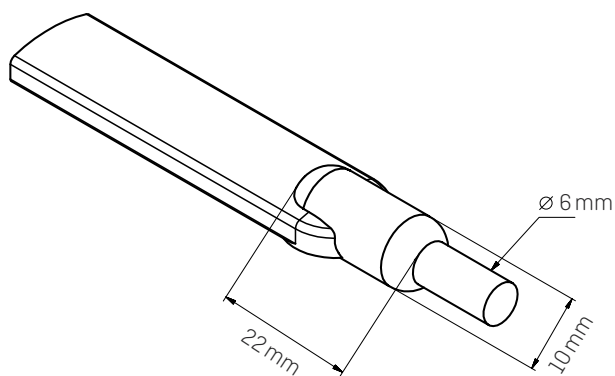
** luminous flux is related to 5.000 K, warmer colour temperatures will reduce the luminous flux, all data are showing typical values, actual lumen output can be less and depends also on surface colour

*** the LED modules are being delivered without any adhesive tape or glue, aluminum profiles have to be ordered separately, recommendations regarding suitable glue/tapes are being given for individual projects

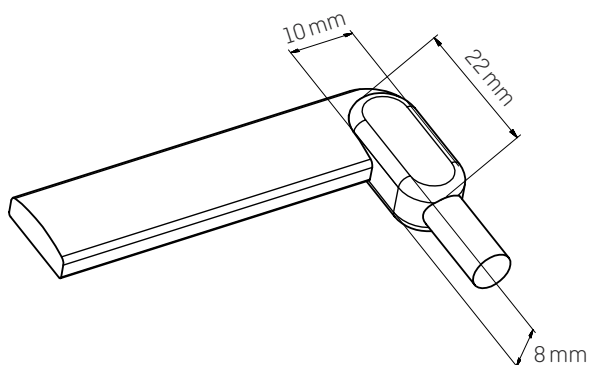
connection types



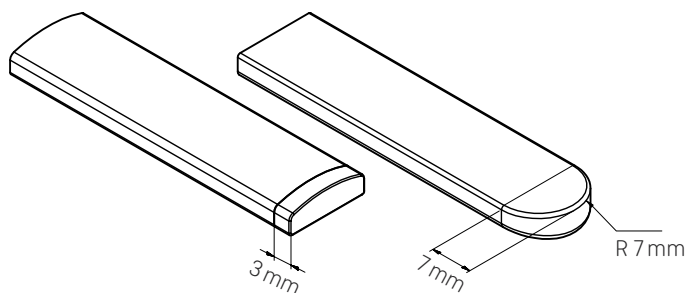
VERTICAL CONNECTION



HORIZONTAL CONNECTION



SQUARE CONNECTION



SQUARE/ROUND ENDCAPS

Product	short form	CCT	article number
MultiColorFlex 14/09ConstantCurrent/2K7 wh/op	MCF14/09CC/2K7 wh/op	2.700 K	5118343
MultiColorFlex 14/09ConstantCurrent/3K wh/op	MCF14/09CC/3K wh/op	3.000 K	-
MultiColorFlex 14/09ConstantCurrent/4K wh/op	MCF14/09CC/4K wh/op	4.000 K	-
MultiColorFlex 14/09ConstantCurrent/5K wh/op	MCF14/09CC/5K wh/op	5.000 K	-
Aluminum Profile MCF14	-	-	5118256