

LinearColor Flex 8/1023

# Product specification sheet

With its sleek shape and completely homogenous and diffuse luminous output, the LinearColor Flex 8 is the right choice for direct lighting in design-sensitive installations. Because of its design, it is highly flexible along its horizontal axis, while also enabling vertical radii in excess of 1000 mm.

Let's design our future.

**Döllken**  
Lighting

we create.  
we innovate.

SURTECO GROUP

## dimensions

measures	8 x 14 mm
step length	50 mm
pitch	not visible
max. connection length*	6,0 m

## light

CCT of PCB**	2.7/4/5.700 K
luminous flux***	270 lm/m
binning	MacAdam Step 3
CRI of PCB [Ra]	> 90
expected life time	50.000 h, LM70

## electrical

voltage	24 V
power	11 W/m
LEDs per step	7
current per step	23 mA
constant current driver each step	yes
ESD protection	no
inverse polarity connection	yes
Tc°	35°C
dimable	yes, only PWM
needed driver must comply	24 V DC SELV

## mechanical

dimensions of smallest operating unit	50 x 8 x 14 mm
suitable mounting method****	aluminum mounting profile, glue
degree of protection (strip)	IP68, 10 m
degree of protection (connection)	IP68, 10 m
mechanical impact protection	IK10
bending radius vertical	1000 mm
bending radius horizontal	200 mm
aluminium profil dimensions	2.000 x 15,5 x 11 mm
aluminium profil colour	aluminium

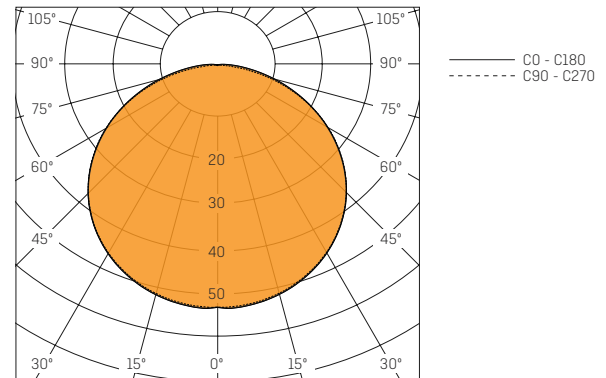
## encapsulation

combustibility class	UL-94-HB
dielectric strength	18 kV/mm
halogen free	yes
chlorine free	yes

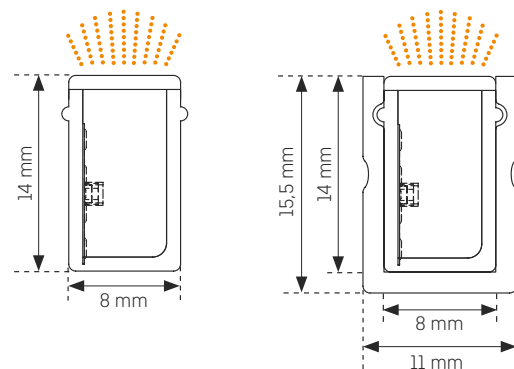
## environmental /compliances

ambient temperature	-20 °C to +60 °C
WEEE-Reg. No.	41380720, Döllken Lighting Flex Line
compliances	CE, RoHS, DIN EN 62031:2008, DIN EN 62717
warranty	5 years (conditions apply)
energy efficiency class	A - A++

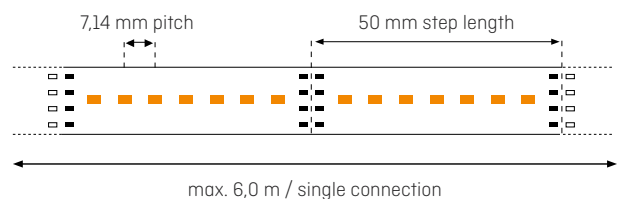
## light intensity distribution



## technical drawings



## step schematic

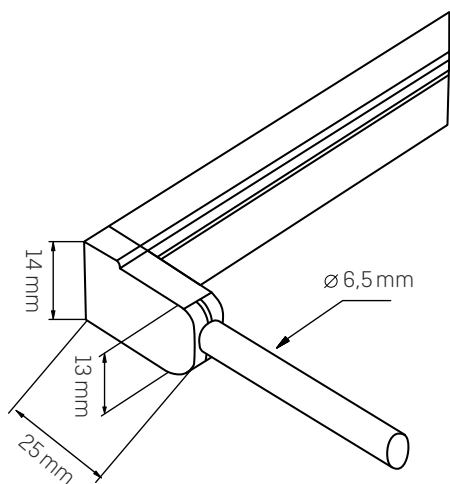


\* maximum connection length with constant light output depends on cable length

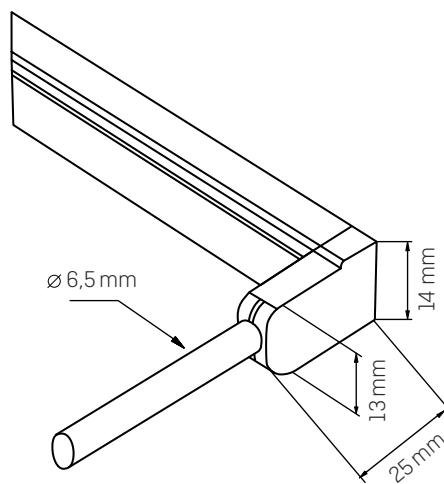
\*\* correlated colour temperature of PCB, encapsulation will affect the colour temperature

\*\*\* luminous flux is related to 2.700 K

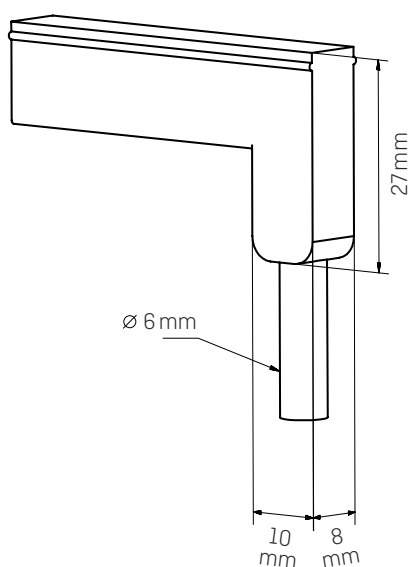
\*\*\*\* the LED modules are being delivered without any adhesive tape or glue, aluminum profiles have to be ordered separately, recommendations regarding suitable glue/tapes are being given for individual projects



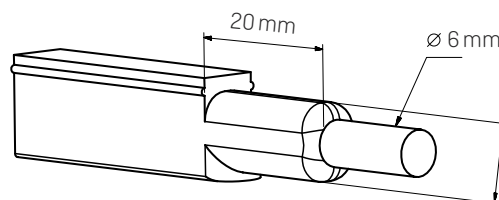
SQUARE CONNECTION RIGHT



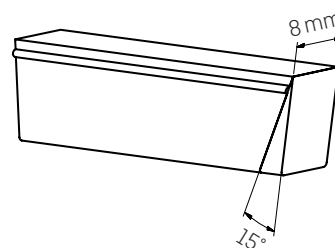
SQUARE CONNECTION LEFT



VERTICAL CONNECTION



HORIZONTAL CONNECTION



SQUARE ENDCAPS

**Product**

**short form**

**CCT**

**article number**

LinearColor Flex 8/1023/2K7 white/opal	LCF 8/1023/2K7 wh/op	2.700 K	5123593
LinearColor Flex 8/1023/4K0 white/opal	LCF 8/1023/4K0 wh/op	4.000 K	5123594
LinearColor Flex 8/1023/5K7 white/opal	LCF 8/1023/5K7 wh/op	5.700 K	5123595
Aluminum Profile LCF8 small	-	-	5902840

**Döllken Profiles GmbH**

**Döllken Lighting**

Industriestraße 1

59199 Bönen | Germany

Tel.: +49 (0) 36 43 / 41 70-540

E-Mail: info@doellken-lighting.com

www.doellken-lighting.com