

MultiColor Flex 14/1023

# Product specification sheet

The MultiColor Flex 14 is encased in opal, white plastic, but its low height nevertheless provides it with a visible pitch, and it is therefore particularly suited for indirect lighting installations where the actual conductor film should not be visible.

Let's design our future.

**Döllken**  
Lighting

.....  
we create.  
we innovate.

SURTECO GROUP

## dimensions

measures	14,2 x 4,5 mm
step length	50 mm
pitch	7,14 mm
max. connection length	6,0 m

## light

CCT of PCB*	2.7/4/5.700 K
luminous flux**	436 lm/m
binning	MacAdam Step 3
CRI of PCB [Ra]	> 90
expected life time	50.000 h, LM70

## electrical

voltage	24 V
power	11 W/m
LEDs per step	7
current per step	23 mA
constant current driver each step	yes
ESD protection	no
inverse polarity connection	yes
Tc°	tbd
dimnable	yes, only PWM
needed driver must comply	24 V DC SELV

## mechanical

dimensions of smallest operating unit	50 x 14,2 x 4,5 mm
suitable mounting method***	aluminum mounting profile, glue
degree of protection (strip)	IP68, 10 m
degree of protection (connection)	IP68, 10 m
mechanical impact protection	IK08
bending radius vertical	50 mm
bending radius horizontal	200 mm
aluminium profil dimensions	2.500 x 17 x 6,7 mm
aluminium profil colour	aluminium

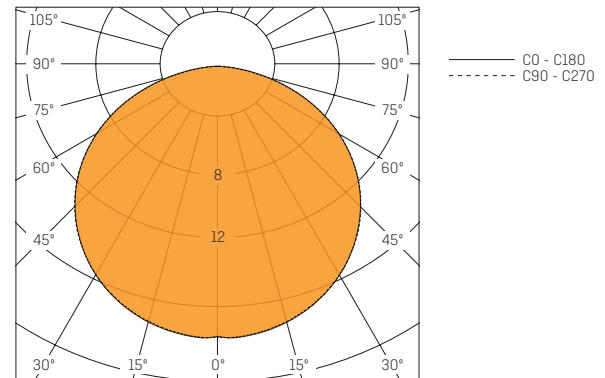
## encapsulation

combustibility class	UL-94-HB
dielectric strength	18 kV/mm
halogen free	yes
chlorine free	yes

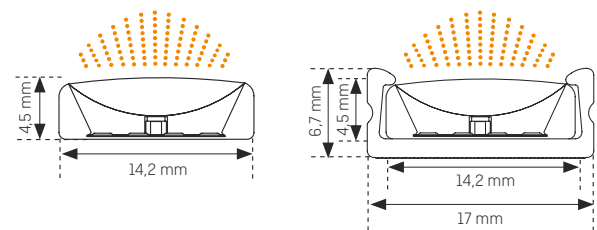
## environmental /compliances

ambient temperature	-20 °C to +60 °C
WEEE-Reg. No.	41380720, Döllken Lighting Flex Line
compliances	CE, RoHS, DIN EN 62031:2008, DIN EN 62717
warranty	5 years (conditions apply)
energy efficiency class	A - A++

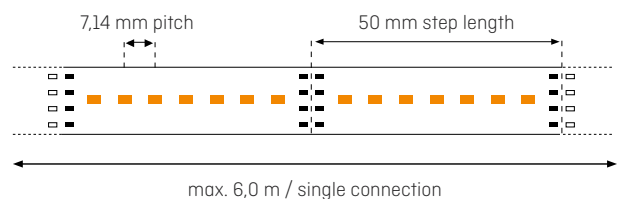
## light intensity distribution



## technical drawings



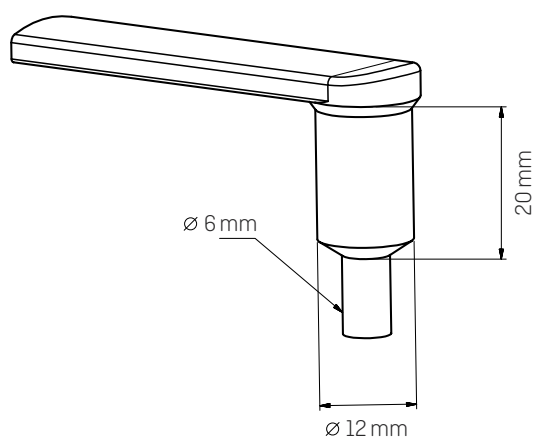
## step schematic



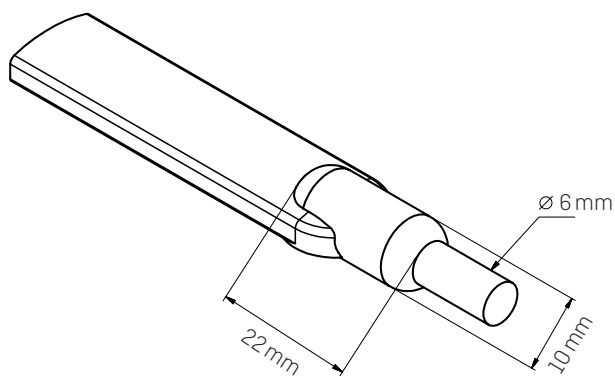
\* correlated colour temperature of PCB, encapsulation will affect the colour temperature

\*\* luminous flux is related to 5.000 K, warmer colour temperatures will reduce the luminous flux, all data are showing typical values, actual lumen output can be less and depends also on surface colour

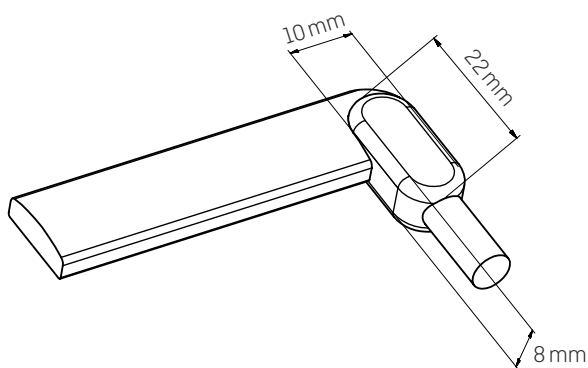
\*\*\* the LED modules are being delivered without any adhesive tape or glue, aluminum profiles have to be ordered separately, recommendations regarding suitable glue/tapes are being given for individual projects



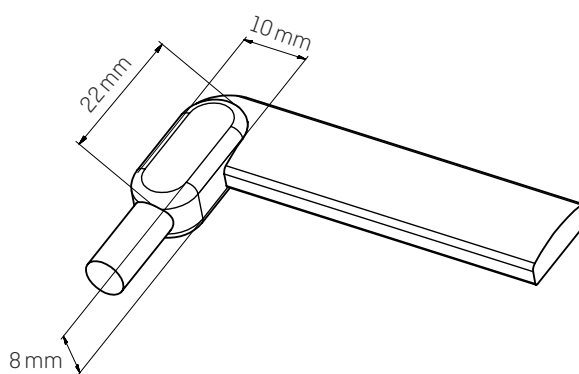
VERTICAL CONNECTION



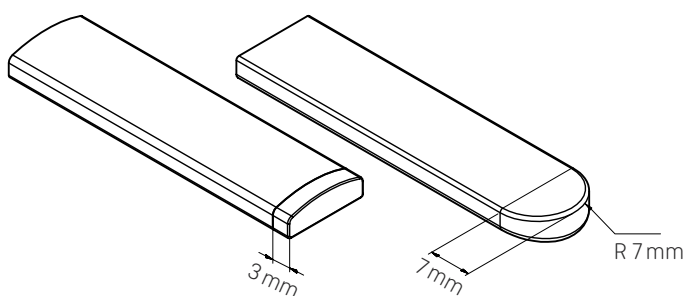
HORIZONTAL CONNECTION



SQUARE CONNECTION LEFT



SQUARE CONNECTION RIGHT



SQUARE/ROUND ENDCAPS

**Product**

**short form**

**CCT**

**article number**

MultiColorFlex 14/1023/2K7 wh/op	MCF14/1023/2K7 wh/op	2.700 K	5123560
MultiColorFlex 14/1023/4K0 wh/op	MCF14/1023/4K0 wh/op	4.000 K	5123561
MultiColorFlex 14/1023/5K7 wh/op	MCF14/1023/5K7 wh/op	5.700 K	5123562
Aluminum Profile MCF14	-	-	5118256

**Döllken Profiles GmbH**

**Döllken Lighting**

Industriestraße 1

59199 Bönen | Germany

Tel.: +49 (0) 36 43 / 41 70-540

E-Mail: info@doellken-lighting.com

www.doellken-lighting.com